

DIMENSIONS & DATA CERTIFIED FOR:

Representative:

Order:

Customer:

Order:

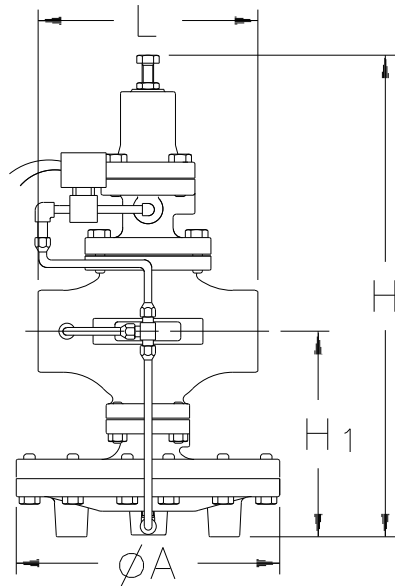
Project:

Requirements:

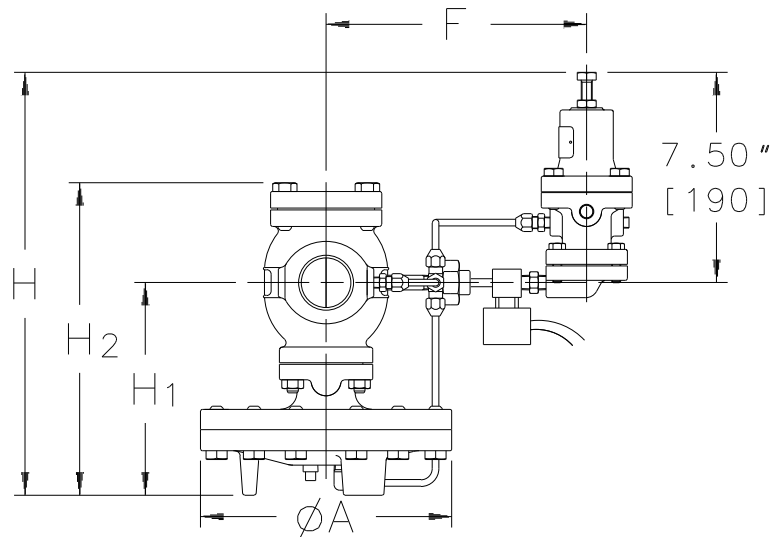
By:

Date:

INTEGRAL MOUNT



REMOTE MOUNT



Dimensions & Weights

SIZE	L	A	F	H Integral	H Remote	H ₁	H ₂	Weight	C _v [K _v]
1/2" [15]	5-15/16" [151mm]	7-15/16" [202mm]	9-15/16" [252mm]	15-3/4" [400mm]	14-1/4" [362mm]	6-3/4" [171mm]	9-5/8" [244mm]	35 lbs. [16 kgs.]	5 [4.3]
3/4" [20]	5-15/16" [151mm]	7-15/16" [202mm]	9-15/16" [252mm]	15-3/4" [400mm]	14-1/4" [362mm]	6-3/4" [171mm]	9-5/8" [244mm]	35 lbs. [16 kgs.]	7.2 [6.2]
1" [25]	6-5/16" [160mm]	8-15/16" [227mm]	10-1/8" [257mm]	15-15/16" [405mm]	14-7/16" [367mm]	6-15/16" [176mm]	10" [254mm]	45 lbs. [20 kgs.]	10.9 [9.4]
1-1/4" [32]	7-1/8" [181mm]	8-15/16" [227mm]	10-1/8" [252mm]	17-1/8" [435mm]	15-1/8" [384mm]	7-5/8" [194mm]	11-1/8" [283mm]	52 lbs. [24 kgs.]	14.3 [12.4]
1-1/2" [40]	7-1/8" [181mm]	8-15/16" [227mm]	10-1/8" [252mm]	17-1/8" [435mm]	15-1/8" [384mm]	7-5/8" [194mm]	11-1/8" [283mm]	52 lbs. [24 kgs.]	18.8 [16.3]
2" [50]	9-1/16" [230mm]	10-15/16" [278mm]	10-3/4" [273mm]	19-5/8" [498mm]	16" [406mm]	8-1/2" [216mm]	12-5/8" [321mm]	76 lbs. [34 kgs.]	32 [27.7]

NOTE: 1/2" thru 2" standard in integral mount.
Remote mount available.



Armstrong Pressure/Temperature Group
221 Armstrong Blvd.,
Three Rivers, MI. 49093
Armstrong (269) 279-3600 Fax(269) 273-8656
Posted on Armstrong's homepage www.armstrong-intl.com

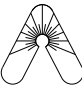
Product	CDY No.	Date
GP-2000	1012	2/05/98
THREADED W/ON-OFF	PAGE 1	Rev. B

Valve Specifications					
Application	Inlet Pressure	Reduced Pressure	Spring Color Code	Maximum Temperature	Minimum Differential
Steam	15-300 psig [1-20.4 bar]	*1.5-3 psig [.1-.2 bar]	YELLOW	450 °F [232 °C]	7 psig [.48 bar]
		3-21 psig [.2-1.4 bar]	YELLOW		
		15-200 psig [1-13.6 bar]	GREEN		

*Note: When using this spring range, remove one (1) pilot diaphragm.
Capacities are reduced by 1/2 of capacity chart when this spring is being used.

Solenoid Specifications							
Conn. Size	Minimum Pressure	Maximum Pressure Steam	Maximum Fluid Temperature	Maximum Ambient Temperature	Sealing Material	Body Material	Voltage
1/4 NPT [8]	0 psi [0 bar]	150 psi [10 bar]	366 °F [186 °C]	77 °F [25 °C]	Teflon	Brass w/S.S. Trim	120V60Hz 110V/50Hz

List Of Materials	
Valve Body	Ductile Iron ASTM A536
Main Valve/Seat	Stainless Steel AISI 420
Pilot Valve/Seat	Stainless Steel AISI 420
Diaphragm	Stainless Steel AISI 301

 Armstrong Pressure/Temperature Group 221 Armstrong Blvd., Three Rivers, MI. 49093 Armstrong (269) 279-3600 Fax(269) 273-8656 Posted on Armstrong's homepage www.armstrong-intl.com		
Product	CDY No.	Date
GP-2000	1012	2/05/98
THREADED W/ON-OFF	PAGE 2	Rev. B