

DIMENSIONS & DATA CERTIFIED FOR:

Representative:

Order:

Customer:

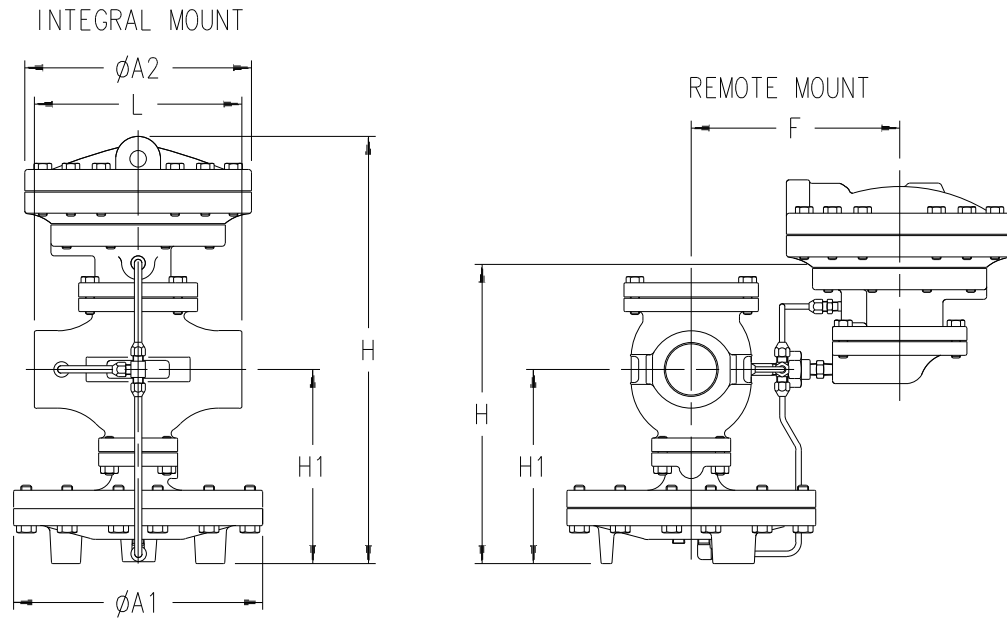
Order:

Project:

Requirements:

By:

Date:



Dimensions & Weights

SIZE	L	A1	F	H Integral	H Remote	H1	A2	Weight	Cv [Kv]
1/2" [15]	5-15/16" [150mm]	7-15/16" [200mm]	6-7/8" [175mm]	13-13/16" [351mm]	11-3/16" [284mm]	6-3/4" [170mm]	6-13/16" [172mm]	41 lbs. [19 kgs.]	5 [4.3]
3/4" [20]	5-15/16" [150mm]	7-15/16" [200mm]	6-7/8" [175mm]	13-13/16" [351mm]	11-3/16" [284mm]	6-3/4" [170mm]	6-13/16" [172mm]	41 lbs. [19 kgs.]	7.2 [6.2]
1" [25]	6-5/16" [160mm]	8-15/16" [226mm]	7-1/16" [179mm]	14-1/4" [361mm]	11-3/8" [289mm]	6-15/16" [175mm]	6-13/16" [172mm]	51 lbs. [23 kgs.]	10.9 [9.4]
1-1/4" [32]	7-1/8" [180mm]	8-15/16" [226mm]	7-7/16" [188mm]	15-3/8" [391mm]	12-1/16" [306mm]	7-5/8" [192mm]	6-13/16" [172mm]	58 lbs. [26 kgs.]	14.3 [12.4]
1-1/2" [40]	7-1/8" [180mm]	8-15/16" [226mm]	7-7/16" [188mm]	15-3/8" [391mm]	12-1/16" [306mm]	7-5/8" [192mm]	6-13/16" [172mm]	58 lbs. [26 kgs.]	18.8 [16.3]
2" [50]	9-1/8" [230mm]	10-15/16" [276mm]	7-11/16" [195mm]	17-3/4" [451mm]	12-5/8" [321mm]	8-1/2" [216mm]	6-13/16" [172mm]	82 lbs. [37 kgs.]	32 [27.7]

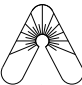


Armstrong Pressure/Temperature Group
221 Armstrong Blvd.,
Three Rivers, MI. 49093
Armstrong (269) 279-3600 Fax(269) 273-8656
Posted on Armstrong's homepage www.armstrong-intl.com

Product	CDY No.	Date
GP-2000K-3 THREADED CONNECTIONS	1083	4/27/01
		Rev. B

Specifications				
Application	Inlet Pressure	Reduced Pressure	Maximum Temperature	Minimum Differential
Steam	15-300 psig [1-20.4 bar]	30-200 psig [2-13.8 bar]	450 °F [232 °C]	7 psig [.48 bar]

List Of Materials	
Body	Ductile Iron ASTM A536
Main Valve/Seat	Stainless Steel AISI 420
Pilot Valve/Seat	Stainless Steel AISI 420
Diaphragm	Stainless Steel AISI 301

 Armstrong Pressure/Temperature Group 221 Armstrong Blvd., Three Rivers, MI. 49093 Armstrong (269) 279-3600 Fax(269) 273-8656 Posted on Armstrong's homepage www.armstrong-intl.com		
Product	CDY No.	Date
GP-2000K-3 THREADED CONNECTIONS	1083	4/27/01
		Rev. B