

DIMENSIONS & DATA CERTIFIED FOR:

Representative:

Order:

Customer:

Order:

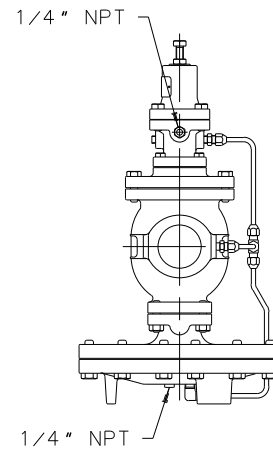
Project:

Requirements:

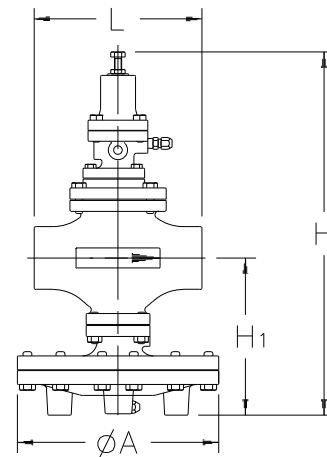
By:

Date:

Dimensions & Weights						
SIZE	L	A	H Integral	H ₁	Weight	C _v [Kv]
1/2" [15]	5-15/16" [151mm]	7-15/16" [202mm]	15-3/4" [400mm]	6-3/4" [171mm]	35 lbs. [16 kgs.]	5 [4.3]
3/4" [20]	5-15/16" [151mm]	7-15/16" [202mm]	15-3/4" [400mm]	6-3/4" [171mm]	35 lbs. [16 kgs.]	7.2 [6.2]
1" [25]	6-5/16" [160mm]	8-15/16" [227mm]	15-15/16" [405mm]	6-15/16" [176mm]	47 lbs. [21.5 kgs.]	10.9 [9.4]
1-1/4" [32]	7-1/8" [181mm]	8-15/16" [227mm]	17-1/8" [435mm]	7-5/8" [194mm]	53 lbs. [24 kgs.]	14.3 [12.4]
1-1/2" [40]	7-1/8" [181mm]	8-15/16" [227mm]	17-1/8" [435mm]	7-5/8" [194mm]	53 lbs. [24 kgs.]	18.8 [16.3]
2" [50]	9-1/16" [230mm]	10-15/16" [278mm]	19-5/8" [498mm]	8-1/2" [216mm]	82 lbs. [37 kgs.]	32 [27.7]



INTEGRAL MOUNT



Specifications						
Application	Maximum Pressure	Inlet Pressure	Reduced Pressure	Spring Color Code	Maximum Temperature	Minimum Differential
Steam	450 psig [31 bar]	15-450 psig [1-31 bar]	3-21 psig [.2-1.4 bar] 15-200 psig [1-13.6 bar] 190-300 psig [13.1-20.6 bar]	YELLOW GREEN BROWN	600 °F [315 °C]	7.5 psig [.51 bar]

List Of Materials	
Body	WCB ASTM A216 / A216M-08
Main Valve/Seat	Stainless Steel AISI 304 Stellite #6
Pilot Valve/Seat	Stainless Steel AISI 420
Diaphragm	Stainless Steel AISI 301
Gasket	Non-Asbestos


 Armstrong Pressure/Temperature Group
 221 Armstrong Blvd.,
 Three Rivers, MI. 49093
Armstrong (269) 279-3600 Fax(269) 273-8656
 Posted on www.armstronginternational.com

Product	CDY No.	Date
GP-2000CS THREADED CONNECTIONS	CD2449	03/22/10
		Rev. A