

# DIMENSIONS & DATA CERTIFIED FOR:

Representative:

Order:

Customer:

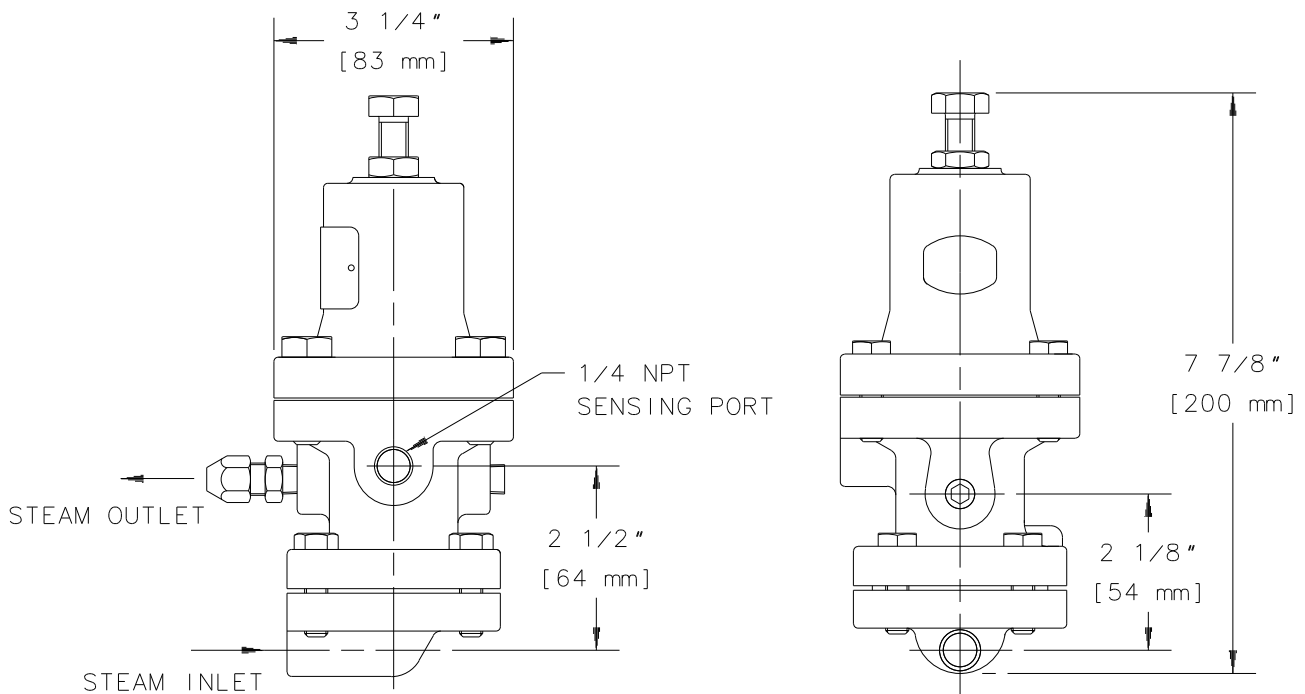
Order:

Project:

Requirements:

By:

Date:



## Specifications

Application	Inlet Pressure	Reduced Pressure	Spring Color Code	Maximum Temperature	Minimum Differential	Weight
Steam	15-300 psig [1-20.4 bar]	*1.5-3 psig [.1-.2 bar]	YELLOW	450 °F [232 °C]	7 psig [.48 bar]	7.5 lbs. [3.4 kgs.]
		3-21 psig [.2-1.4 bar]	YELLOW			
		15-200 psig [1-13.6 bar]	GREEN			

\*Note: When using this spring range, remove one (1) pilot diaphragm

## List Of Materials

Body	Ductile Iron ASTM A536
Main Valve/Seat	Stainless Steel AISI 420
Pilot Valve/Seat	Stainless Steel AISI 420
Diaphragm	Stainless Steel AISI 301



Armstrong Pressure/Temperature Group  
221 Armstrong Blvd.,  
Three Rivers, MI. 49093  
**Armstrong** (269) 279-3600 Fax(269) 273-8656  
Posted on Armstrong's homepage [www.armstrong-intl.com](http://www.armstrong-intl.com)

Product	CDY No.	Date
GP-2000 Pilot	1001	1/15/98
		Rev. A