

# DIMENSIONS & DATA CERTIFIED FOR:

Representative:

Order:

Customer:

Order:

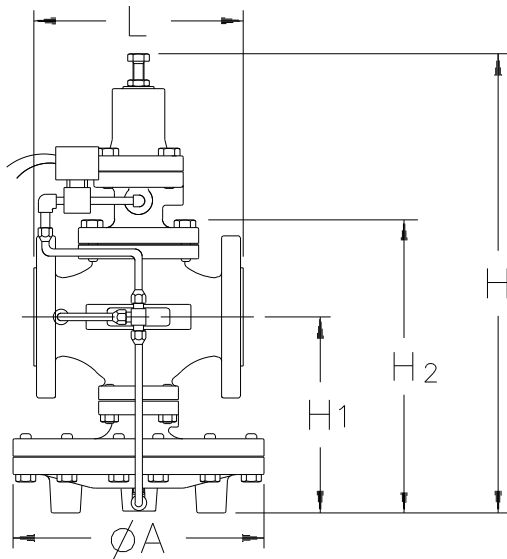
Project:

Requirements:

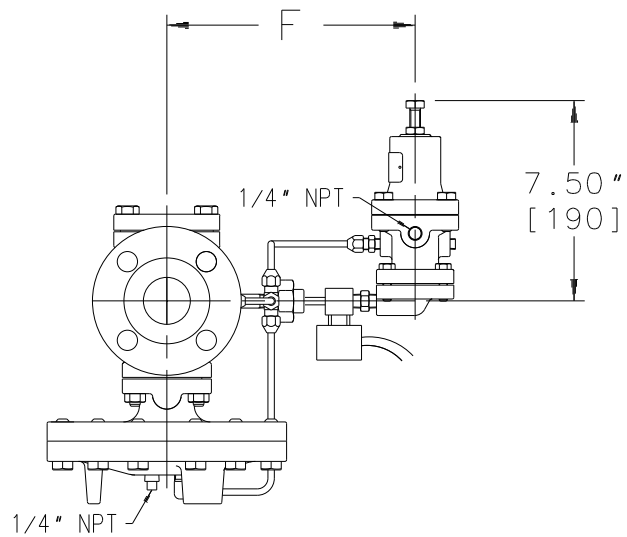
By:

Date:

INTEGRAL MOUNT



REMOTE MOUNT



## Dimensions & Weights

SIZE	Flange Class	L	A	F	H Integral	H Remote	H1	H2	Weight	Cv [Kv]
2" [50]	150	8-9/16" [217mm]	10-15/16" [278mm]	10-3/4" [273mm]	19-5/8" [498mm]	16" [406mm]	8-1/2" [216mm]	12-5/8" [321mm]	82 lbs. [37 kgs]	32 [28]
	300	9-1/8" [232mm]							85 lbs. [39 kgs]	
2-1/2" [65]	150	10-15/16" [278mm]	13-13/16" [351mm]	11-5/16" [287mm]	21-3/4" [552mm]	17-5/16" [440mm]	9-13/16" [249mm]	14-3/4" [375mm]	143 lbs. [65 kgs]	60 [52]
	300	11-1/2" [292mm]							151 lbs. [68 kgs]	
3" [80]	150	11-3/4" [298mm]	13-13/16" [351mm]	11-3/4" [298mm]	22-5/8" [575mm]	17-15/16" [456mm]	10-7/16" [265mm]	15-3/4" [400mm]	156 lbs. [71 kgs]	78 [67]
	300	12-7/16" [316mm]							167 lbs. [76 kgs]	
4" [100]	150	13-1/2" [343mm]	15-13/16" [402mm]	12-7/16" [316mm]	25-15/16" [659mm]	20-1/8" [511mm]	12-5/8" [321mm]	19-1/4" [489mm]	248 lbs. [112 kgs]	120 [104]
	300	14-1/8" [359mm]							265 lbs. [120 kgs]	
6" [150]	150	18-1/8" [460mm]	19-3/4" [502mm]	14-5/16" [364mm]	31-3/4" [806mm]	27-1/4" [692mm]	16-1/4" [413mm]	26-1/2" [673mm]	554 lbs. [251 kgs]	250 [215]
	300	19" [483mm]								

NOTE: 2" thru 4" standard in integral mount.



Armstrong Pressure/Temperature Group  
221 Armstrong Blvd.,  
Three Rivers, MI. 49093  
**Armstrong** (269) 279-3600 Fax(269) 273-8656  
Posted on Armstrong's homepage [www.armstrong-intl.com](http://www.armstrong-intl.com)

Product	CDY No.	Date
GP-2000	1098	4/3/03
FLANGED W/ON-OFF	PAGE 1	Rev. A

### Valve Specifications

Application	Inlet Pressure	Reduced Pressure	Spring Color Code	Maximum Temperature	Minimum Differential
STEAM	CL. 150 FLG. 15-185 psig [1-12.6 bar]	*1.5-3 psig [.1-.2 bar]	SILVER	450 °F [232 °C]	7 psig [.48 bar]
		3-21 psig [.2-1.4 bar]	YELLOW		
	CL. 300 FLG. 15-300 psig [1-20.4 bar]	15-200 psig [1-13.6 bar]	GREEN		

Note: \*When using this spring range, remove one (1) pilot diaphragm.  
Capacities are reduced by 1/2 of capacity chart when this spring is being used.

### Solenoid Specifications

Conn. Size	Minimum Pressure	Maximum Pressure Steam	Maximum Fluid Temperature	Maximum Ambient Temperature	Sealing Material	Body Material	Voltage
1/4 NPT [8]	0 psi [0 bar]	150 psi [10 bar]	366 °F [186 °C]	77 °F [25 °C]	Teflon	Brass w/S.S. Trim	120V60Hz 110V/50Hz

### List Of Materials

Body	Ductile Iron ASTM A536
Main Valve	Stainless Steel AISI 420
Main Valve Seat	Stainless Steel AISI 420
Pilot Valve	Stainless Steel AISI 420
Pilot Valve Seat	Stainless Steel AISI 420
Diaphragm	Stainless Steel AISI 301
Bolting	Carbon Steel



Armstrong Pressure/Temperature Group  
221 Armstrong Blvd.,  
Three Rivers, MI. 49093  
**Armstrong** (269) 279-3600 Fax(269) 273-8656  
Posted on Armstrong's homepage [www.armstrong-intl.com](http://www.armstrong-intl.com)

Product	CDY No.	Date
GP-2000	1098	4/3/03
FLANGED W/ON-OFF	PAGE 2	Rev. A