

# DIMENSIONS & DATA CERTIFIED FOR:

Representative:

Order:

Customer:

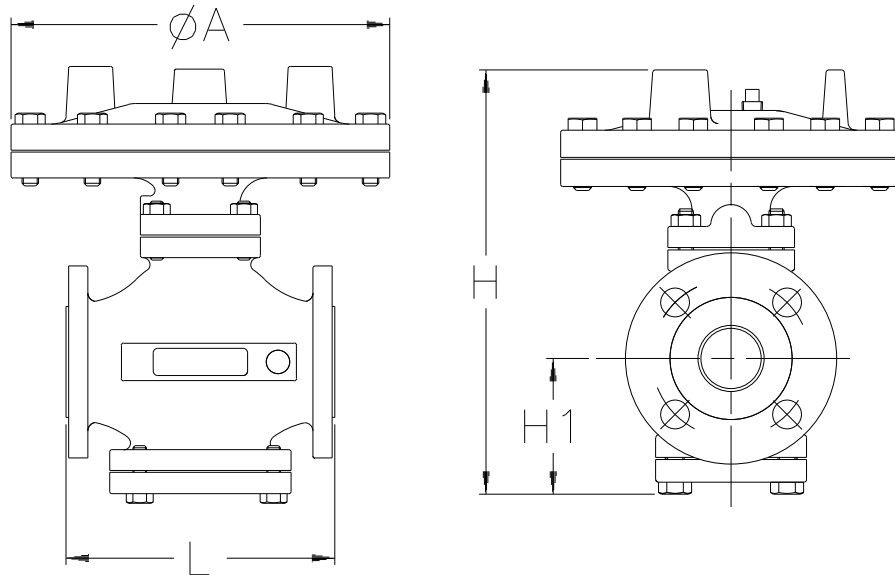
Order:

Project:

Requirements:

By:

Date:



Dimensions & Weights

SIZE	Flange Class	L	A	H	H1	Weight	Cv [Kv]
2" [50]	150	8-9/16" [217mm]	10-15/16" [278mm]	12-5/8" [321mm]	4-1/2" [114mm]	72 lbs. [33 kgs]	32 [28]
	300	9-1/8" [232mm]				73 lbs. [33 kgs]	
2-1/2" [65]	150	10-15/16" [278mm]	13-13/16" [351mm]	14-3/4" [375mm]	4-3/4" [120mm]	135 lbs. [61 kgs]	60 [52]
	300	11-1/2" [292mm]				136 lbs. [62 kgs]	
3" [80]	150	11-3/4" [298mm]	13-13/16" [351mm]	15-3/4" [400mm]	5-1/2" [140mm]	146 lbs. [66 kgs]	78 [67]
	300	12-7/16" [316mm]				152 lbs. [69 kgs]	
4" [100]	150	13-1/2" [343mm]	15-13/16" [402mm]	19-1/4" [489mm]	6-1/2" [165mm]	230 lbs. [104 kgs]	120 [104]
	300	14-1/8" [359mm]				240 lbs. [109 kgs]	

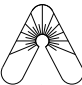


Armstrong Pressure/Temperature Group  
221 Armstrong Blvd.,  
Three Rivers, MI. 49093  
**Armstrong** (269) 279-3600 Fax(269) 273-8656  
Posted on Armstrong's homepage [www.armstrong-intl.com](http://www.armstrong-intl.com)

Product	CDY No.	Date
GD-2000K FLANGED CONNECTIONS	1021	2/20/98
		Rev. A

Specifications				
Application	Inlet Pressure	Reduced Pressure	Maximum Temperature	Minimum Differential
Steam	CL. 150 FLG. 15-185 psig [1-12.6 bar]	7-200 psig [0.5-13.6 bar]	450 °F [232 °C]	7 psig [.48 bar]
	CL. 300 FLG. 15-300 psig [1-20.4 bar]			

List Of Materials	
Body	Ductile Iron ASTM A536
Main Valve/Seat	Stainless Steel AISI 420
Pilot Valve/Seat	Stainless Steel AISI 420
Diaphragm	Stainless Steel AISI 301

 Armstrong Pressure/Temperature Group 221 Armstrong Blvd., Three Rivers, MI. 49093 <b>Armstrong</b> (269) 279-3600 Fax(269) 273-8656 Posted on Armstrong's homepage <a href="http://www.armstrong-intl.com">www.armstrong-intl.com</a>		
Product	CDY No.	Date
GD-2000K FLANGED CONNECTIONS	1021	2/20/98
		Rev. A