

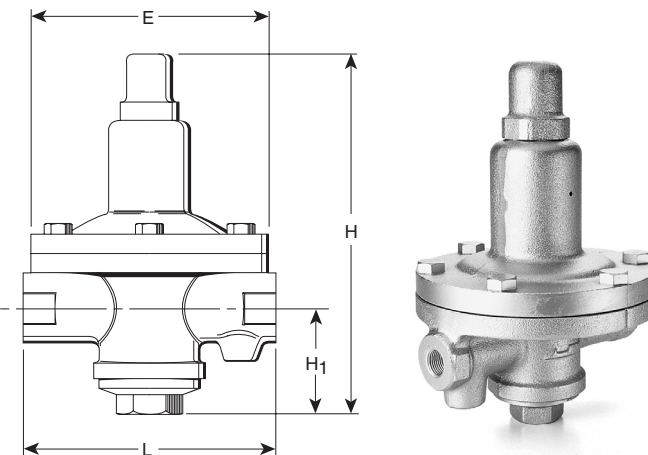


GD-6N (Steam), GD-6 (Liquid, Gas)

For Steam, Air and Water

The GD-6N and GD-6 are compact, direct acting diaphragm valves ideal for low-flow applications, including laundry/dry cleaning equipment, hospital equipment, tire/plastic molds and food processing. Lightweight and compact, the valves require no external sensing lines or additional parts. External adjusting screw with locking nut and cover make for quick, easy setting and adjustment. Tight shutoff for dead-end service. Removable stainless steel diaphragm, hardened stainless steel working parts (6N), integral removable strainer (6N) and in-line renewable valve and seat. Available in 3/8", 1/2", 3/4" and 1" sizes with a choice of two set pressure spring ranges.

For a fully detailed certified drawing, refer to CDY #1040.



GD-6N/GD-6 Specifications

Model	Application	Inlet Pressure psig (bar)	Reduced Pressure psig (bar)	Spring Color	Minimum Differential psig (bar)	Maximum Temperature °F (°C)	Materials			
							Body	Main Valve	Valve Seat	Diaphragm
GD-6N	Steam	15 - 150 (1 - 10)	3 - 15 (.21 - 1.0) and 15 - 60 (1 - 4)	Yellow Stripe	7 (.48)	450 (232)	Cast Iron ASTM A278	Stainless Steel AISI 304	Stainless Steel AISI 420	Stainless Steel AISI 304
GD-6	Liquid Gas			Yellow/Blue Stripe				Brass (w/Disc) ASTM B16	Bronze ASTM B584	

GD-6N Capacities—Steam

		lb/hr					kg/hr						
Inlet	Outlet	Connection Size				psig	Inlet	Outlet	Connection Size			bar	
		3/8	1/2	3/4	1				10	15	20		25
15	3 - 8	18	25	51	76	20	1.0	2 - 6	8.2	11.3	23.1	34.5	
	13	12	17	34	51		1.4	.9	5.4	7.7	15.4	23.1	
25	3 - 10	21	30	59	89	30	1.7	.2 - 7	9.5	13.6	26.8	40.4	
	18	14	20	41	61		2.1	1.2	6.4	9.1	18.6	27.7	
40	15	19	28	55	83	50	2.8	1.0	8.6	12.7	24.9	37.6	
	3 - 12	24	34	68	102		3.4	.2 - 8	10.9	15.4	30.8	46.3	
60	23	16	23	47	71	75	4.1	1.6	7.3	10.4	21.3	32.2	
	20	21	30	59	89		5.2	1.4	9.5	13.6	26.8	40.4	
100	3 - 15	27	38	76	115	125	6.9	.2 - 1	12.2	17.2	34.5	52.2	
	32	21	30	60	90		8.6	2.2	9.5	13.6	27.2	40.8	
150	25	28	40	79	119	150	10.3	1.7	12.7	18.1	35.8	54.0	
	4 - 20	33	47	94	140		12.8	.3 - 1.4	15.0	21.3	42.6	63.5	
200	40	25	36	73	109	200	15.8	2.8	11.3	16.3	33.1	49.4	
	32	33	47	94	141		20.8	2.2	15.0	21.3	42.6	64.0	
300	5 - 25	39	55	111	166	300	28.8	.3 - 1.7	17.7	24.9	50.3	75.3	
	48	30	43	55	128		38.8	3.3	13.6	19.5	24.9	58.1	
400	40	37	53	107	160	400	48.8	2.8	16.8	24.0	48.5	72.6	
	6 - 30	45	64	128	192		68.8	.4 - 2.1	20.4	29.0	58.1	87.1	
500	60	37	52	104	156	500	98.8	4.1	16.8	23.6	47.2	70.8	
	48	47	67	135	202		138.8	3.3	21.3	30.4	61.2	91.6	
700	7 - 37	54	77	153	230	700	178.8	.5 - 2.6	24.5	34.9	69.4	104.3	
	65	61	87	173	260		218.8	4.5	27.7	39.5	78.5	117.9	
1000	10 - 50	69	98	196	294	1000	258.8	.7 - 3.4	31.3	44.5	88.9	133.4	
	125	84	119	239	358		348.8	8.6	.9 - 4.1	38.1	54.0	108.4	162.4
1500	15 - 60	99	142	283	425	1500	438.8	10.3	1 - 4.1	44.9	64.4	128.4	192.8

NOTE: For air capacities scfm, multiply steam capacities (lb/hr) by 0.36.
 For air capacities m3/hr, multiply steam capacities (kg/hr) by 1.35.
 Maximum pressure reduction ratio 10:1.
 ANSI Class IV Shutoff.

GD-6N/GD-6 Dimensions and Weights

Symbol	Connection Size							
	in		mm		in		mm	
	3/8	10	1/2	15	3/4	20	1	25
L	6-1/2	165	6-1/2	165	7-1/4	185	7-1/4	185
H	9-1/2	237	9-1/2	237	10-1/4	261	10-1/4	261
H ₁	2-1/4	57	2-1/4	57	3	76	3	76
E	6-1/8	155	6-1/8	155	7	175	7	175
Wt lb (kg)	12 (5.5)		12 (5.5)		18 (8.2)		18 (8.2)	
C _v	.35		.5		1.0		1.5	

GD-6 Capacities—Water

		gpm				l/min				
ΔP	Connection Size	in				ΔP	Connection Size			
		3/8	1/2	3/4	1		mm			
psig	3/8	1/2	3/4	1	bar	10	15	20	25	
5	.8	1.1	2.2	3.4	.35	3.0	4.2	8.3	12.9	
10	1.1	1.6	3.2	4.7	.7	4.2	6.0	12.1	17.8	
15	1.4	1.9	3.9	5.8	1.0	5.3	7.2	14.8	22.0	
25	1.8	2.5	5.0	7.5	1.7	6.8	9.5	18.9	28.4	
50	2.5	3.5	7.1	10.6	3.5	9.5	13.2	26.9	40.1	
75	3.0	4.3	8.7	13.0	5.2	11.4	16.3	32.9	49.2	
100	3.5	5.0	10.0	15.0	6.9	13.2	18.9	37.9	56.8	
125	3.9	5.6	11.2	16.8	8.6	14.8	21.2	42.4	63.6	
147	4.2	6.1	12.1	18.2	10.0	15.9	23.1	45.8	68.9	