

DIMENSIONS & DATA CERTIFIED FOR:

Representative:

Order:

Customer:

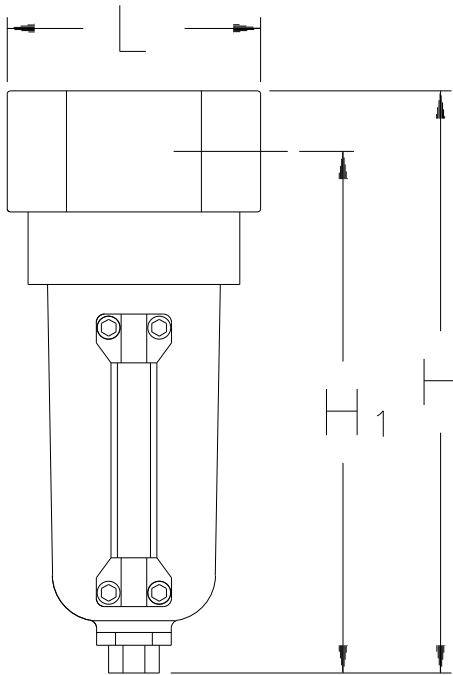
Order:

Project:

Requirements:

By:

Date:



LIST OF MATERIALS					
Conn. Size	1/4"	3/8"	1/2"	3/4"	1"
Body			Zinc		Aluminum
Bowl			Zinc		Aluminum

DIMENSIONS & SPECIFICATIONS			
Connection Size	1/4", 3/8" & 1/2" NPT	3/4" NPT	1" NPT
L	2-3/4" [70mm]	3-7/8" [98mm]	4-3/4" [121mm]
H	6-3/8" [162mm]	7.0" [178mm]	11-3/8" [289mm]
H ₁	5-3/4" [146mm]	6-3/8" [162mm]	10.0" [254mm]
Weight	2 lbs. [.9 kgs]	2 lbs. [.9 kgs]	3 lbs. [1.4 kgs]
Inlet Pressure	0-250 psig [0-17 bar]		
Max. Temperature	175 °F [79 °C]		
Application	Air and Other Non-Corrosive Gasses		



Armstrong Pressure/Temperature Group
221 Armstrong Blvd.,
Three Rivers, MI. 49093
Armstrong (269) 279-3600 Fax(269) 273-8656
Posted on Armstrong's homepage www.armstrong-intl.com

Product	CDY No.	Date
AF-10 Air Filter	1004	1/20/98
		Rev. A