

# DIMENSIONS & DATA CERTIFIED FOR:

Representative:

Order:

Customer:

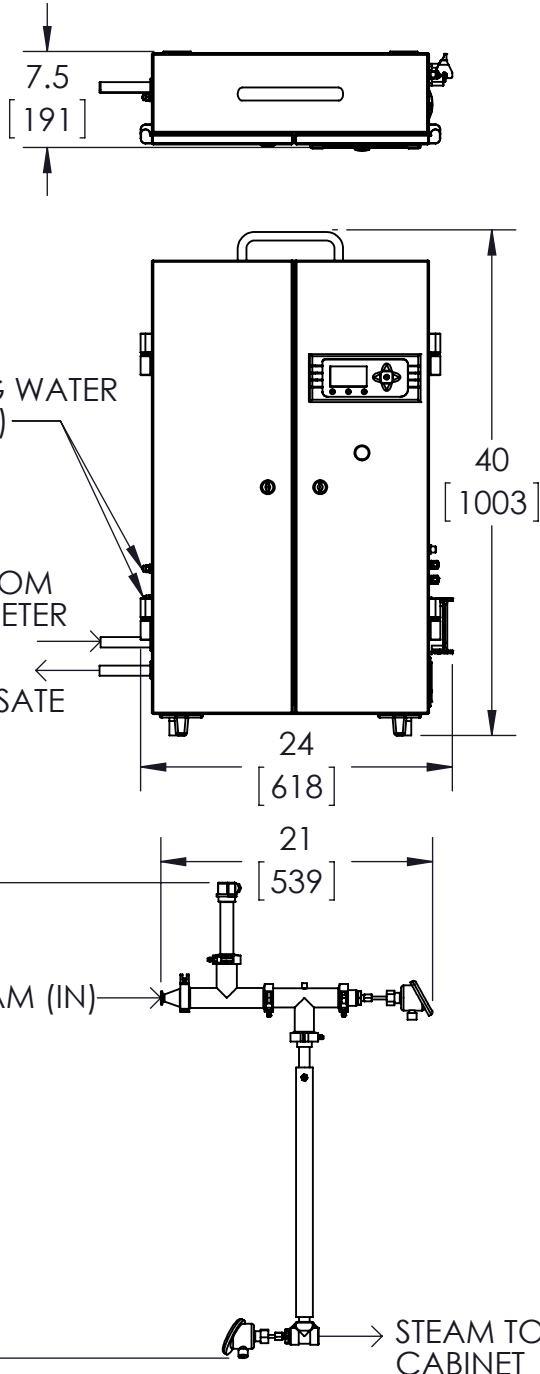
Order:

Project:

Requirements:

By:

Date:



## LIST OF MATERIALS

NAME OF PART	MATERIAL
CABINET / FINISH	ALUMINUM / PAINTED
CONDENSER	304 STAINLESS STEEL
CALORIMETER (PIPE MATERIAL)	316 STAINLESS STEEL

## TECHNICAL INFORMATION

MODEL NO.	STEAM QM-3	
CONNECTION		
CONNECTIONS	TYPE	SIZE
STEAM	SANITARY FITTING	1/2" OR 1-1/2"
CONDENSATE DRAIN (FROM CABINET)	G-BSPT	1/2"
CONDENSATE DRAIN (FROM CALORIMETER)	COMPRESSION FITTING	6 mm
COOLING WATER (IN)	TUBING QUICK CONNECT	6 mm
COOLING WATER (OUT)		6 mm

## ELECTRICAL POWER

VOLTAGE	FREQUENCY	POWER
115/230 VAC	60/50 Hz	100 W

## USAGE

STEAM	3.3 lbs/hr (1.5 kg/hr) @ 45 psig (3 barg)
COOLING WATER	~4 gal/h (15 L/h) @ 50° F (10°C)
USAGE MAY INCREASE WITH WARMER COOLING WATER	

## PHYSICAL CHARACTERISTICS

	HEIGHT	WIDTH	DEPTH	WEIGHT
CABINET (INCLUDING WHEELS AND HANDLE)	40" [1003 mm]	24" [618 mm]	7.5" [191 mm]	42 lbs [19 kg]
CALORIMETER	37" [943 mm]	21" [539 mm]	N/A	11 lbs [5 kg]

## OPERATING PARAMETERS (CALORIMETER)

	MAXIMUM PRESSURE	MINIMUM PRESSURE	MAXIMUM TEMPERATURE
STEAM (IN)	60 psig [4 barg]	7 psig [0.5 bar]	356° F [180° C]
COOLING WATER (IN)	94 psig [6.5 barg]	43 psig [3 bar]	60° F [15° C]

## PERFORMANCE SPECIFICATIONS

PARAMETER	SPECIFICATION
DRYNESS FRACTION	0.85-1
DRYNESS FRACTION ACCURACY	0.01 OF DISPLAY
NON CONDENSABLE GASES CONTENT COMPARED TO THE VOLUME OF CONDENSATE	≤ 15%
AMOUNT OF SUPER HEAT	0-122°F (0-50°C)

Dimensions Are In Inches [mm]



Product

QM-3 STEAM QUALITY MONITOR

ENGLISH

WEB  
Y|N

CD No.

CD2789

Rev;

SHEET 1 OF 1

Date

07/15/2013

By: Derek Westphal