

DIMENSIONS & DATA CERTIFIED FOR:

Representative:

Order:

Customer:

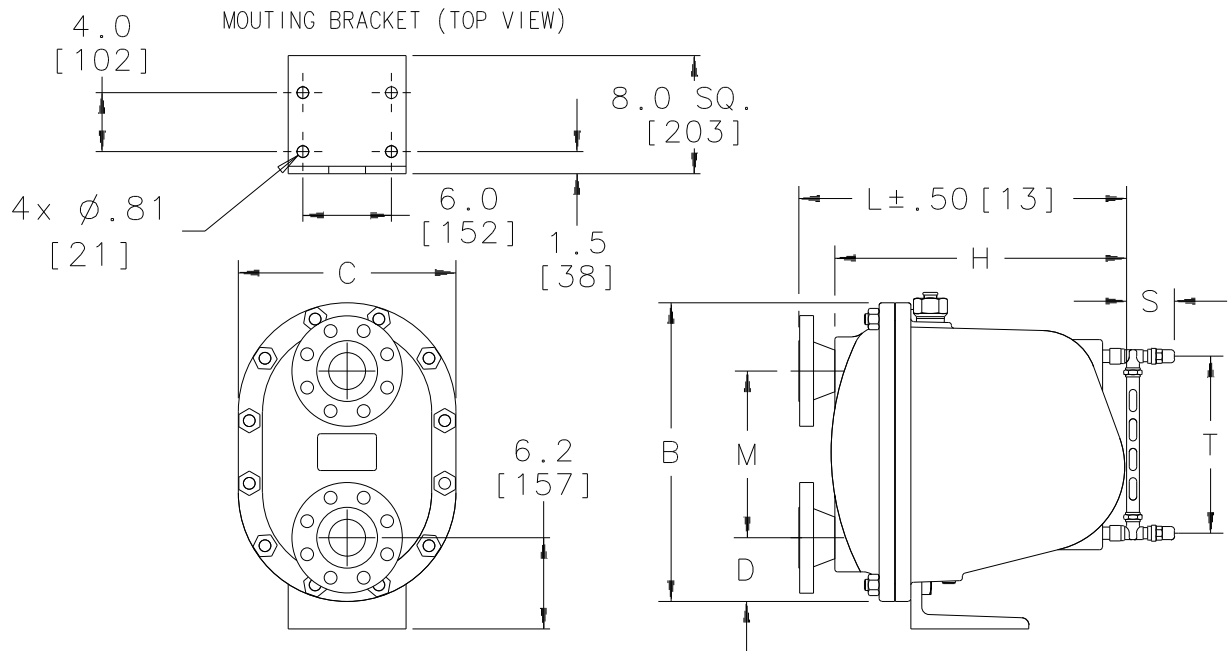
Order:

Project:

Requirements:

By:

Date:



LIST OF MATERIALS


NAME OF PART	MATERIAL
Cap & Body	ASTM A216 Grade WCB
Flange	ASTM A105
Cap Extension	LS ASTM A351 T304 SS Grade CF8 MS ASTM A747 Grade 17-4 Ph CB7Cu-1
Cap Bolting	ASTM A193 Grade B7
Cap Gaskets	Compressed Non-asbestos
Valve	ASTM A582 T440C
Float	ASTM A167 T304 SS
Mechanism	ASTM A276 T304 SS
Balanced Pressure Thermostatic Air Vent	ASTM A167 T304 SS Shell & Bronze/Phosphor Bellows
Mounting Bracket	ASTM A36

DESCRIPTION	DRAINER SERIES	
	LS	MS
STANDARD CONN. SIZES	2[DN50]	2-1/2[DN65] 3[DN80]
"B" (Height)	20 [645]	
"C" (Width)	15-1/4 [387]	
"D" (Bottom to ϕ)	4-3/16 [106]	
"H" (Length)	20 [645]	
"L" (Length w/Flange)		
CLASS 150 Flange	21-7/8[556]	22-1/8 [562]
CLASS 300 Flange	22-1/8[562]	22-3/8[568] 22-1/2[572]
CLASS 600 Flange	22-1/2[572]	22-3/4[578] 22-7/8[581]
"M" (ϕ to ϕ)	11-5/16 [287]	
"S" (Gage Glass Width)	3-3/4 [95]	
"T" (Gage Glass Height)	12 [305]	
Weight	290 [132 kgs] \pm 4[2kgs]	
Maximum Allowable Pressure (Vessel Design)	450 psig [31 bar] at 650°F [343°C]	

OPTIONS:

- Available with armored gauge glass which must be specified on original order. Maximum allowable pressure, 250 psig[17 bar] at 425°F[218°C].
- All Armstrong F&T traps are available with integral vacuum breakers for service pressures up to 150 psi. Suffix "VB" to model number.
- "LS" Series traps are available with 2" conns. Specify 30-LS8, 100-LS8, etc.
- Available with floor mounting bracket. Consult factory.

Note: Dimensions Are In Inches [mm]



Armstrong International, Inc.
Three Rivers Division
Three Rivers, MI 49093
Armstrong (269) 273-1415 Fax(269) 278-6555
Posted on Armstrong's homepage www.armstrong-intl.com

Product	CD No.	Date
DRAINER LS & MS W/FLANGED CONNS.	1040	7/18/05
		Rev. C