

DIMENSIONS & DATA CERTIFIED FOR:

Representative:

Order:

Customer:

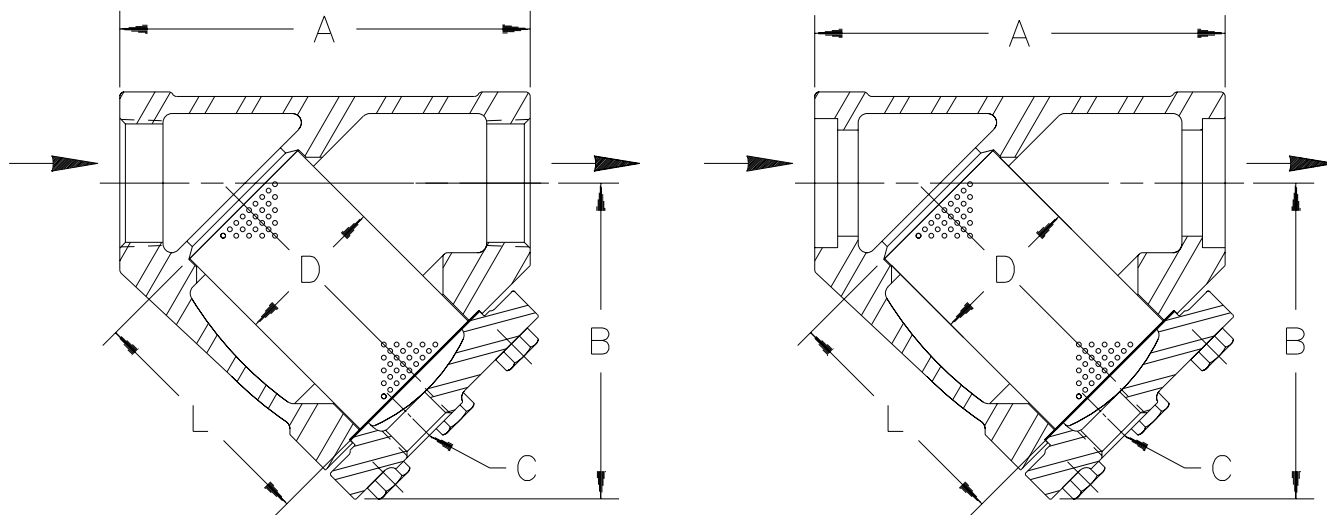
Order:

Project:

Requirements:

By:

Date:




B1SC

B1SW

Socket Weld Conn. ANSI B16.11
Dimensions A & B ±1/8" [3mm]

DESCRIPTION	DIMENSIONS
CONNECTION (NPT & SW)	3" [DN 80]
"A" (FACE TO FACE)	11-1/4" [286mm]
"B" (BOTTOM TO Q INLET)	8-5/8" [219mm]
"C" (BLOW DOWN THREAD)	1-1/4" NPT [DN 32]
"D" (DIA. OF SCREEN)	4-3/16" [106mm]
"L" (LENGTH OF SCREEN)	6-5/8" [168mm]
WEIGHT	47 lb [21.3 kgs]
MAXIMUM ALLOWABLE PRESSURE (VESSEL DESIGN)	1135 psig at 562°F [87 bar at 294°C] 1480 psig at 100°F [102 bar at 37.8°C]

LIST OF MATERIALS	
NAME OF PART	MATERIAL
BODY	ASTM A216 GR. WCB
SCREEN	T304 SS .045" PERF.
GASKET, RETAINER	NON-ASBESTOS
RETAINER, BOLTED	ASTM A216 GR. WCB
SCREW, CAP	ASTM A193 GR. B7



Armstrong International, Inc.
Three Rivers Division
Three Rivers, MI 49093
Armstrong (616) 273-1415 Fax(616) 278-6555

Product	CD No.	Date
STRAINER B1SC & B1SW 3" WCB	1049	10/16/96
		Rev. A