

# DIMENSIONS & DATA CERTIFIED FOR:

Representative:

Order:

Customer:

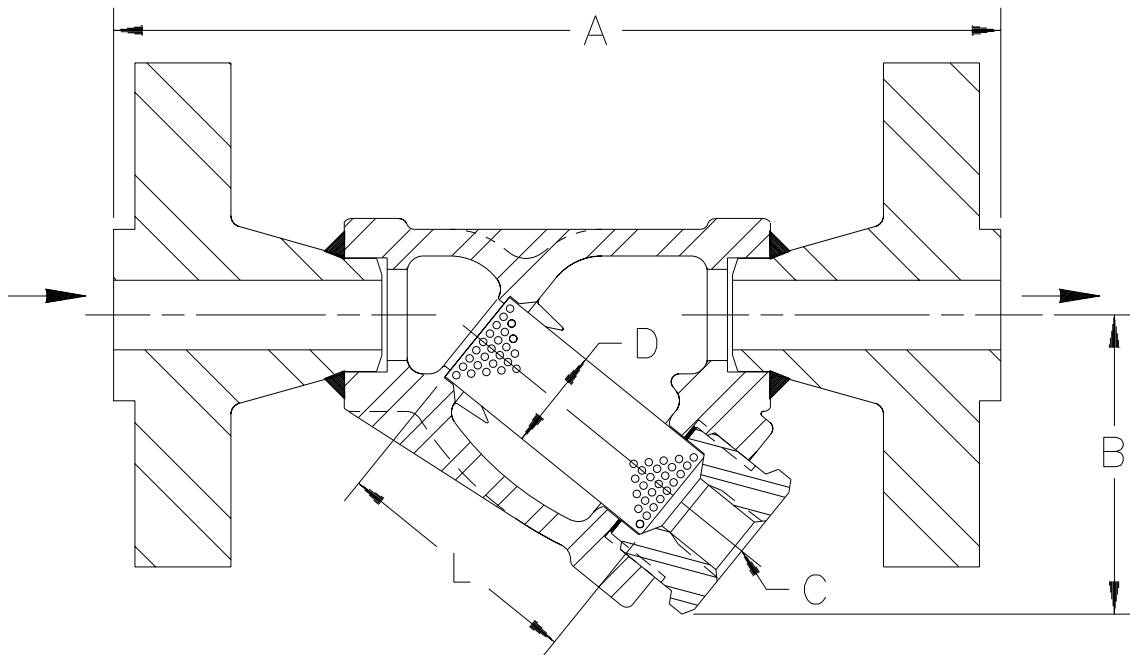
Order:

Project:

Requirements:

By:

Date:



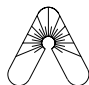
1" Strainers shown above

**C1FL**

Flange Conn. ANSI B16.5  
Dimensions A & B  $\pm 3/16"$  [5mm]

DESCRIPTION	DIMENSIONS		
CONNECTION (CL. 1500 RF FLG.)	1/2" [DN15]	3/4" [DN20]	1" [DN25]
"A" (FACE TO FACE)	8-3/8" [213mm]	9-5/16" [236mm]	10-3/8" [264mm]
"B" (BOTTOM TO $\phi$ INLET)	2-11/16" [68mm]	2-15/16" [75mm]	3-1/2" [89mm]
"C" (BLOW DOWN THREAD)	3/8" NPT [DN10]	1/2" NPT [DN15]	
"D" (DIA. OF SCREEN)	13/16" [21mm]	31/32" [25mm]	1-3/16" [30mm]
"L" (LENGTH OF SCREEN)	2-1/16" [52mm]	2-3/8" [60mm]	2-15/16" [75mm]
WEIGHT	11 lb [5 kgs]	14.7 lb [6.7 kgs]	23 lb [10.5 kgs]
MAXIMUM ALLOWABLE PRESSURE (VESSEL DESIGN)	2090 psig at 643°F [144 bar at 339°C] 3000 psig at 100°F [207 bar at 37.8°C]		

LIST OF MATERIALS	
NAME OF PART	MATERIAL
BODY	ASTM A217 GR. WC6
SCREEN	T304 SS .045" PERF.
GASKET	SOFT STEEL
RETAINER	ASTM A276

 Armstrong International, Inc. Three Rivers Division Three Rivers, MI 49093 (616) 273-1415 Fax(616) 278-6555		
Product	CD No.	Date
STRAINER, C1FL W/ CL. 1500 FLGS. 1/2" - 1" WC6	1057	12/13/96
		Rev. A