

DIMENSIONS & DATA CERTIFIED FOR:

Representative:

Order:

Customer:

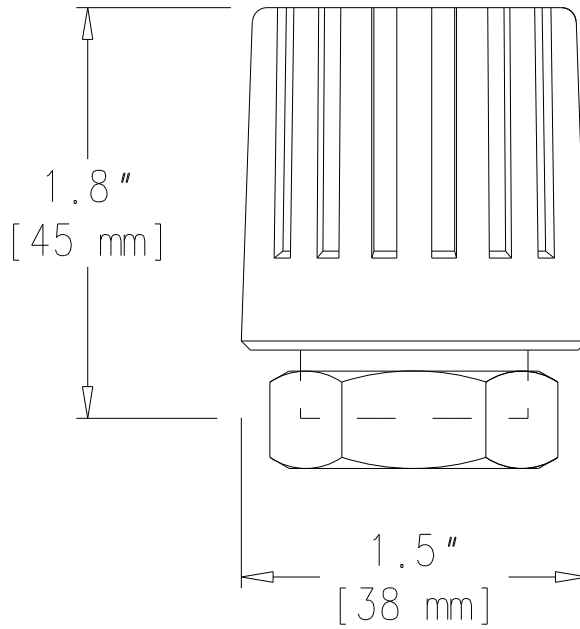
Order:

Project:

Requirements:

By:

Date:



NOTES:

1. WEIGHT: .13 lbs. [0.06 kgs]

| Materials | |
|---------------|-------|
| Operator Body | Luron |
| O-Rings | EPDM |

| Product | ENGLISH | CD No. | Date |
|---------------|---------|--------|------------|
| MV-3 OPERATOR | WEB | 2023 | 6/14/07 |
| | YIN | Rev; A | By; Hooley |