

DIMENSIONS & DATA CERTIFIED FOR:

Representative:

Order:

Customer:

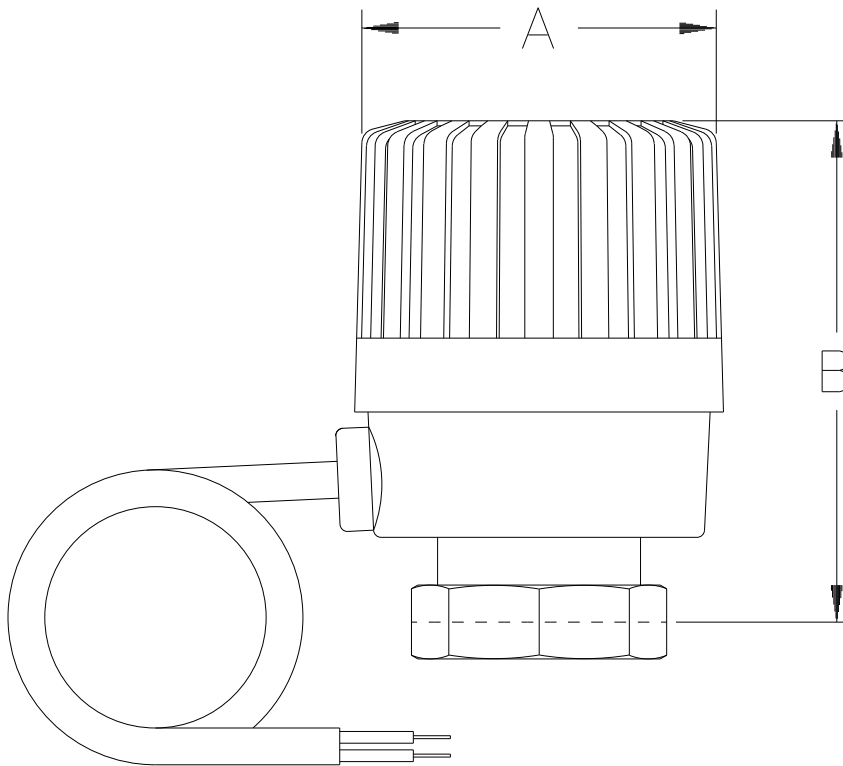
Order:

Project:

Requirements:

By:


Date:



| Dimensions | |
|------------|-----------------------|
| "A " | 2" [51mm] |
| "B " | 2-3/4" [70mm] |
| Weight | 3/4 lbs. [0.3 kgs] |

24 VAC
N.C. or N.O.

| Materials | |
|---------------|-------|
| Operator Body | Luron |
| O-Rings | EPDM |

| | | |
|---|---------|---------|
|  Armstrong Pressure/Temperature Group 221 Armstrong Blvd., Three Rivers, MI. 49093 Armstrong (269) 279-3600 Fax(269) 273-8656 Posted on Armstrong's homepage www.armstrong-intl.com | | |
| Product | CDY No. | Date |
| EV-4 ELECTRIC OPERATOR | 1057 | 3/12/98 |
| | | Rev. B |