

# DIMENSIONS & DATA CERTIFIED FOR:

Representative:

Order:

Customer:

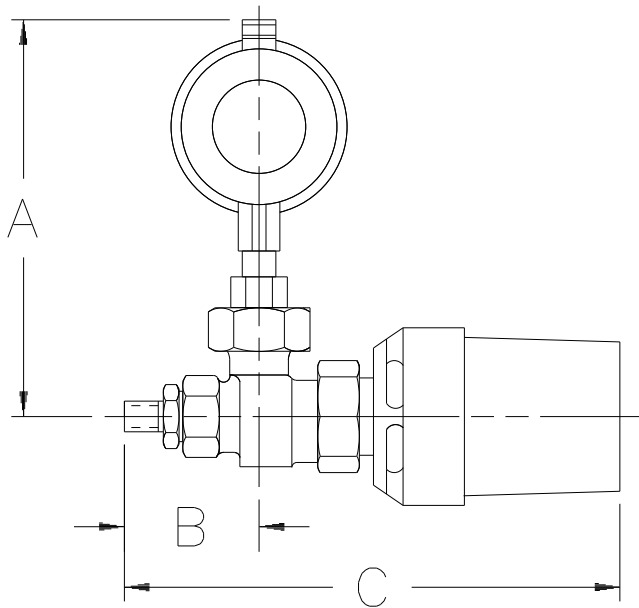
Order:

Project:

Requirements:

By:


Date:



Dimensions		
Connection Size	1/8" [6]	
"A"	4-5/8" [117mm]	
"B"	1-5/8" [41mm]	
"C"	5-3/4" [146mm]	
Weight	1 lb [0.5 kgs]	
SV-12 Air Vent Port Designation and Port Size	4 = .040" [1mm]      6 = .0935" [2.37mm]	
	5 = .070" [1.7mm]      C = .1285" [3.26mm]	
	D = .1850" [4.7mm]	
	Each Air Vent is provided with all five (5) of the above Vent Ports.	

Materials	
Valve Body	Bronze/Brass
Main Valve	"A" Insert - Brass
Main Valve Seat	"A" Insert - EPDM
LV-4 Operator Body	Luron
LV-4 & "A" Insert O-ring	EPDM
SV-12 Air Vent Body	Nickel Plated Brass
SV-12 Air Vent Float	Polypropylene
SV-12 Air Vent Valve Seat	Brass
SV-12 Air Vent Bi-Metal Thermostatic Element	Stainless Steel

Specifications			
Maximum Steam	Maximum Temperature	Maximum Differential (Water)	Maximum Static Pressure
15 psi [1 bar]	250 °F [121 °C]	15 psi [1 bar]	150 psi [10 bar]



Armstrong Pressure/Temperature Group  
221 Armstrong Blvd.,  
Three Rivers, MI. 49093  
**Armstrong** (269) 279-3600 Fax(269) 273-8656  
Posted on Armstrong's homepage [www.armstrong-intl.com](http://www.armstrong-intl.com)

Product	CDY No.	Date
RV-4 ONE PIPE STEAM VALVE	1052	3/11/98
		Rev. A