

DIMENSIONS & DATA CERTIFIED FOR:

Representative:

Order:

Customer:

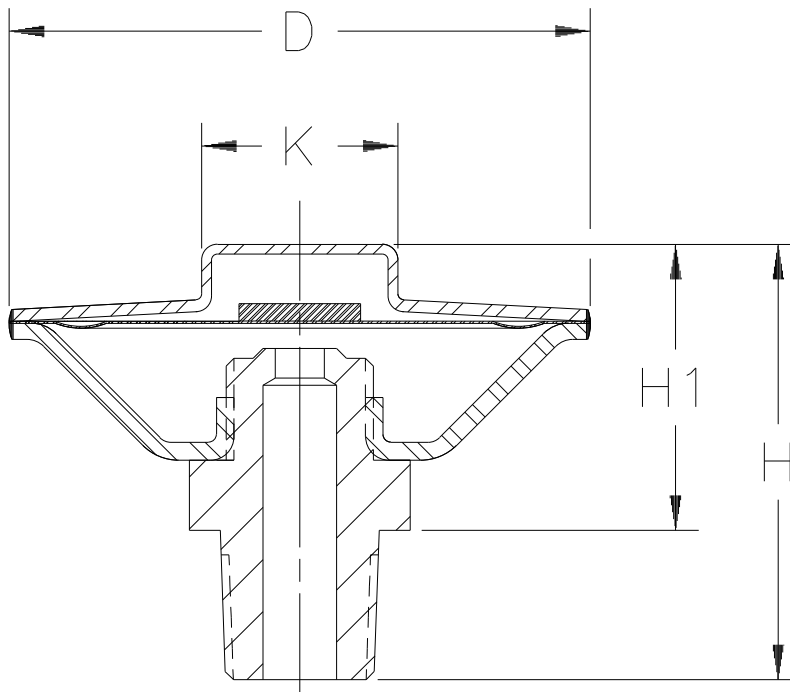
Order:

Project:

Requirements:

By:


Date:



Dimension & Specifications:		Dimensions In Inches [mm]	
*H (MAX.)		1-3/16	[30]
D ϕ		1-1/2	[38]
H1		3/4	[19]
K		1/2	[13] Hex
Max. Operating Pressure		65 psig	[4 bar]
Max. Operating Temperature		312 °F	[156 °C]
Application		STEAM	

*Other lengths could be up to 1/2 [13] shorter

List Of Materials:	
Body	T304 Stainless Steel
Seat	T316 Stainless Steel
Wafer	T316 Stainless Steel

 Armstrong Pressure/Temperature Group 221 Armstrong Blvd., Three Rivers, MI. 49093 Armstrong (269) 279-3600 Fax(269) 273-8656 Posted on Armstrong's homepage www.armstrong-intl.com		
Product	CDY No.	Date
T-WAFER	1077	3/8/00
		Rev. A