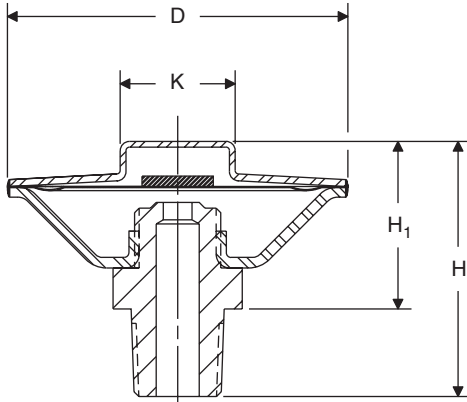


T-Wafer Radiator Trap Replacement Capsule

For Steam Service

The T-Wafer capsule is a compact, easy to install, welded wafer element. The capsule is designed so that it can be easily adapted to almost any of the popular radiator traps currently in use.

For a fully detailed certified drawing, refer to CDY #1077.



T-Wafer Capsule



Specifications and Materials					
Application	Max. Oper. psig (bar)	Max. Oper. Temp. °F (°C)	Materials		
			Body	Seat	Wafer
Steam	65 (4)	312 (156)	T-304 SS	T-316 SS	T-316 SS

Physical Data							
L		*H		H ₁		K	
in	mm	in	mm	in	mm	in	mm
1-1/2	38	1-3/16	30	3/4	20	1/2 Hex	15

*When using adapter extension or using extra tall adapter, add 1/2" (15 mm).

For a complete listing of popular models adaptable to the T-Wafer, contact your Armstrong Representative.

Specify the following when ordering T-Wafers

Trap Manufacturer — Trap Model Number — Trap Connection Size — Trap Pattern (on some models)



Armstrong® T-Wafer Radiator Trap Replacement Capsule

Popular Models Adaptable to the T-Wafer				
Trap Manufacturer	Trap Model	Trap Connection	Armstrong Part No.	Notes
Barnes & Jones	122	1/2"	B7413	Integral Seat
	3045			
	6	3/4"	B7418	
	134		B7437	
Dunham Bush	TH2A	1/2"	B7412	Removable Seat
	1E		B7430	
	1E	3/4"	B7415	
	2E		B7414	
Hoffman	V1B	1/2"	B7415	Removable Seat
	17C		B7416	
	8	3/4"	B7432	
	8C		B7416	
Illinois	9	1/2"	B7432	Removable Seat
	1G		B7409	
	3G	3/4"	B7431	
Marsh	2-7	1/2"	B7411	Removable Seat
	1		B7409	
	2	3/4"	B7427	
	1N			
Monash-Younger	30	1/2"	B7409	
	34		B7417	
Sarco	E	1/2" & 3/4"	B7409	Removable Seat
	H	1"	B7428	
	S65	1/2" & 3/4"	B7409	
Trane	B1	1/2"	B7409	Trap Rated @ 65 psi
	B1		B7424	Removable Seat/Non-vertical
	B1		B7423	Integral Seat/Vertical Config.
	B1		B7426	Removable Seat/Vertical Config.
	B2	3/4"	B7415	Integral Seat
	B3		B7412	Removable Seat
	B3		B7436	Integral Seat
Warren Webster	02H & 02V	1/2"	B7411	Removable Seat
	12H5		B7419	
	22H5			
	502			
	502V-1			
	503	3/4"		
	512, 512H & 512G	1/2"		
	513	3/4"		
	522H	1/2"		
	522HB			
	524HB			
	533	3/4"	B7419	
	5993			
	702	1/2"	B7411	
	702V-1			
	703	3/4"	B7419	
	712			
	712HB	1/2"	B7419	
	713	3/4"	B7411	
	713HB			
	722HB	1/2"	B7419	
	724AH & 724HB			
	734	1"	B7411	
780	3/8"			
781	1/2"	B7411		
782				
783	3/4"	B7428		
784				
902	1/2"	B7425		
902V		B7411		
733H	3/4"	B7419	Heavy Load Trap	

NOTE: This is not a complete listing of adaptable traps—For a complete listing, contact your Armstrong Representative. When ordering, please specify: 1. Trap Manufacturer 2. Trap Model Number 3. Trap Connection Size 4. Trap Pattern (on some models)

Radiator Products

