

# DIMENSIONS & DATA CERTIFIED FOR:

Representative:

Order:

Customer:

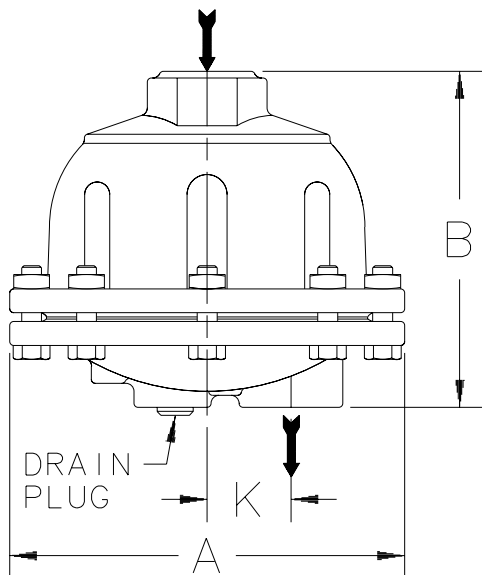
Order:

Project:

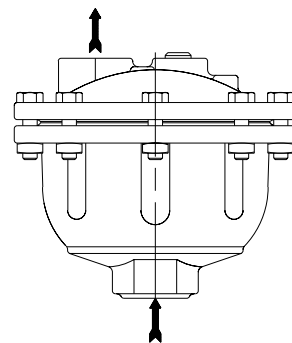
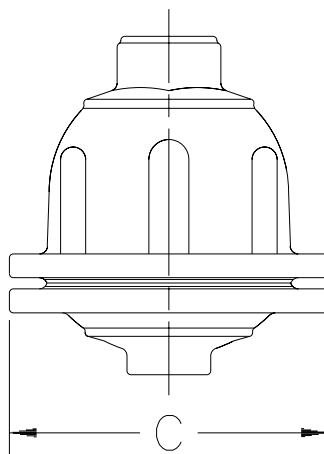
Requirements:

By:

Date:



ORIENTATION  
FOR 21-LD



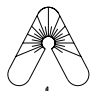
ORIENTATION  
FOR 21-AR

MODEL NO.	21-LD, 21-AR	
PIPE CONNECTIONS	1/2, 3/4	
"A"	6-3/16	157 mm
"B"	5-1/4	133 mm
"C"	5	127 mm
"K"	1-5/16	33.3 mm
WEIGHT	8 lbs	3.6 kgs
DRAIN PLUG	1/4	
MAXIMUM ALLOWABLE PRESSURE (VESSEL DESIGN)	250 psig AT 450° F	

NAME OF PART	MATERIAL
BODY & CAP	ASTM A48 CLASS 30
LEVERAGE ASS'Y	STAINLESS STEEL
FLOAT	STAINLESS STEEL
GASKET	COMPRESSED NON-ASBESTOS
VALVE & VALVE SEAT (21-LD)	STAINLESS STEEL
VALVE & VALVE SEAT (21-AR)	STN. STL. W/VITON INSERT

**NOTE:**

1. AVAILABLE IN NPT OR BSPT CONNECTIONS.
2. AVAILABLE IN 316 STAINLESS STEEL AND ALUMINIUM.



Armstrong International, Inc.  
Three Rivers Division  
Three Rivers, MI 49093  
(616) 273-1415 Fax (616) 278-6555

Product	CD No.	Date
21-LD 21-AR	1037	8/23/96
		Rev. B