

DIMENSIONS & DATA CERTIFIED FOR:

Representative:

Order:

Customer:

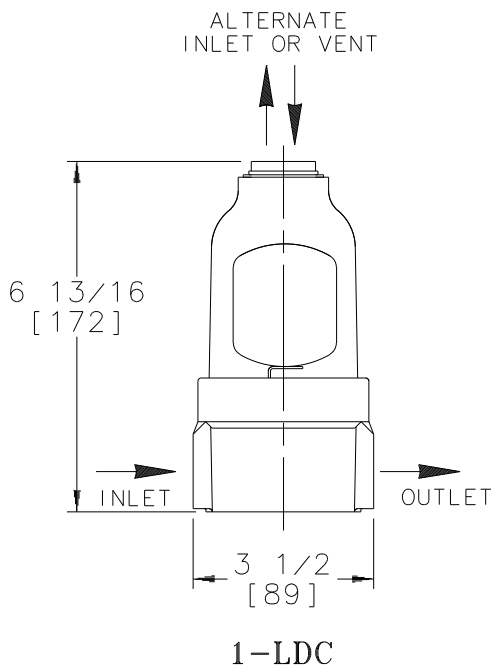
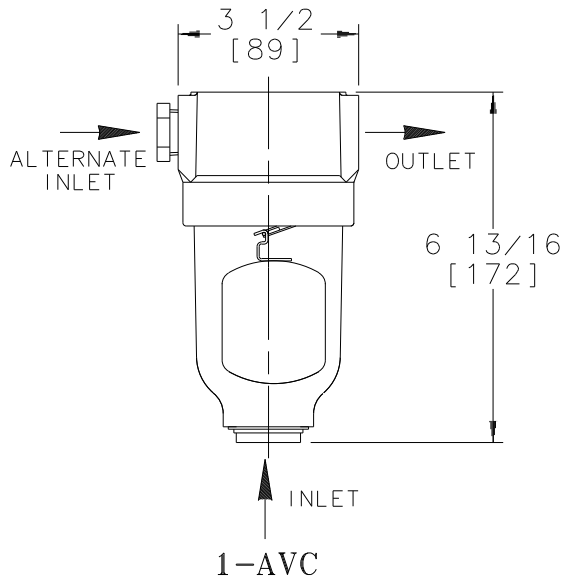
Order:

Project:

Requirements:

By:

Date:



DIMENSIONS ARE IN INCHES[mm]

LIST OF MATERIALS:

NAME OF PART	MATERIAL
Fitting	GLASS REINFORCED NYLON
Cap	
Body	PSO (Polysulfone)
O-Rings	NITRILE (BUNA N)
Float	T304
Lever & Screws	
Valve & Seat	17-4PH H900
Retainer Ring	Zinc Plated Steel
NPT Plug	NYLON

TECHNICAL INFORMATION

MODEL NO.	1-AVC & 1-LDC
Connection, Inlet (NPT)	1/2[DN15] or 3/4[DN20]
Alternate Inlet or Vent (NPT)	
Connection, Outlet (NPT)	1/2 [DN15]
Weight	1 lb [.5 kg]

DESIGN INFORMATION

Max Allowable Pressure (Vessel Design)	150 psig at 150°F [10 bar at 66°C]
--	---------------------------------------



Armstrong International, Inc.
Three Rivers Division
Three Rivers, MI 49093

Armstrong (269) 273-1415 Fax(269) 278-6555
Posted on Armstrong's homepage www.armstronginternational.com

Product	CD No.	Date
1-AVC/LDC W/ 17-4PH VALVE & SEAT	1031	4/10/96
Rev; B		By; Paul G.