

DIMENSIONS & DATA CERTIFIED FOR:

Representative:

Order:

Customer:

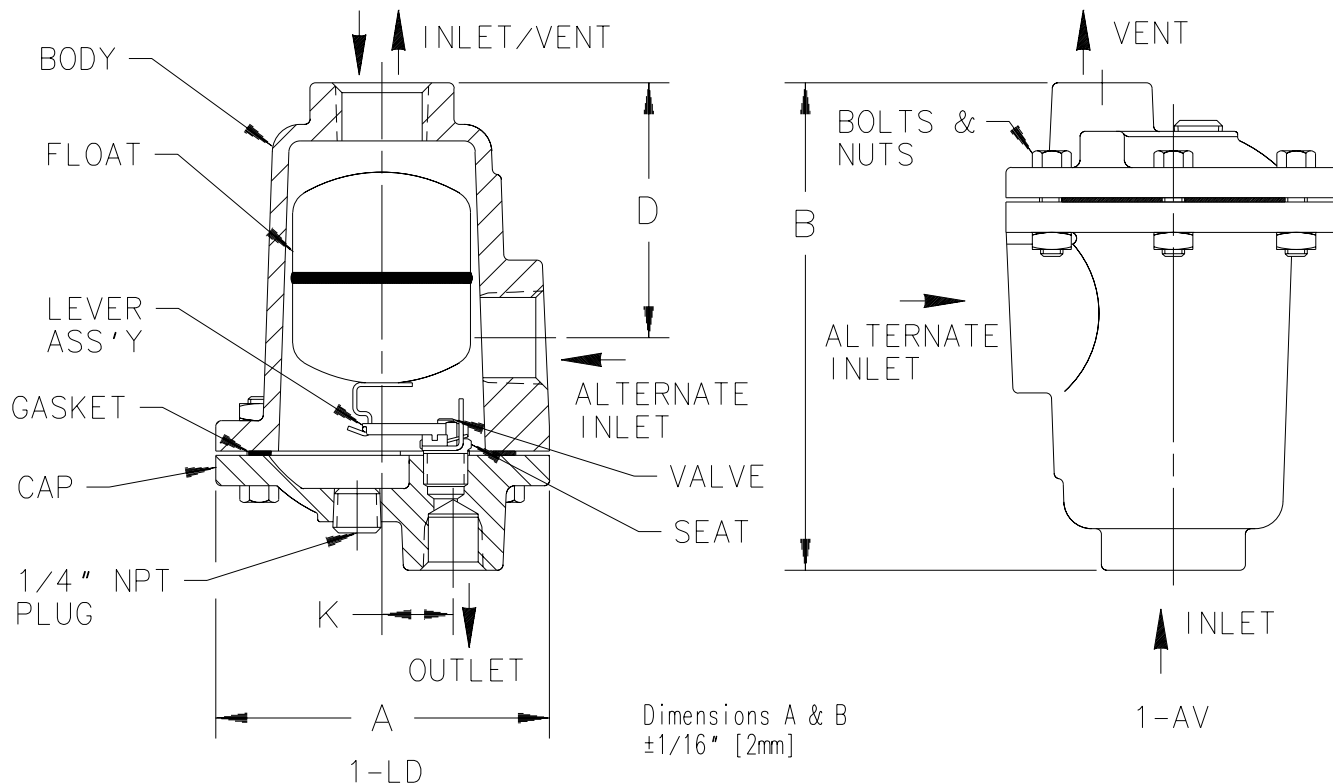
Order:

Project:

Requirements:


By:

Date:



MODEL NO.	1-LD/AV
PIPE CONNECTIONS:	
INLET/VENT	3/4" NPT [DN20] or 1/2" NPT [DN15]
OUTLET	1/4" NPT [DN8] or 3/8" [DN10]
ALTERNATE INLET	3/4" NPT [DN20] or 1/2" NPT [DN15]
"A" (BODY DIAMETER)	3-3/4" [89 mm]
"B" (HEIGHT)	5-1/2" [140 mm]
"K" (C OF TRAP TO C OF OUTLET)	13/16" [21 mm]
"D" (BOTTOM TO C OF ALTERNATE INLET)	2-7/8" [mm]
WEIGHT	4 lbs [1.80 kgs]
MAXIMUM ALLOWABLE PRESSURE (VESSEL DESIGN)	300 psig at 200°F [21 bar at 93°C]

LIST OF MATERIALS	
NAME OF PART	MATERIAL
CAP & BODY	ASTM A48 CL. 30
SEAT & VALVE	HARDENED STAINLESS STEEL
LEVER ASS'Y	STAINLESS STEEL
FLOAT	
GASKET	COMPRESSED NON-ASBESTOS
BOLTS & NUTS	ASTM A193 Gr. B7 & ASTM A563 Gr. A



Armstrong International, Inc.
Three Rivers Division
Three Rivers, MI 49093
Armstrong (616) 273-1415 Fax(616) 278-6555
Posted on Armstrong's homepage www.armstrong-intl.com

Product	CD No.	Date
1-AV/LD	1070	12/18/98
		Rev. B