

# DIMENSIONS & DATA CERTIFIED FOR:

Representative:

Order:

Customer:

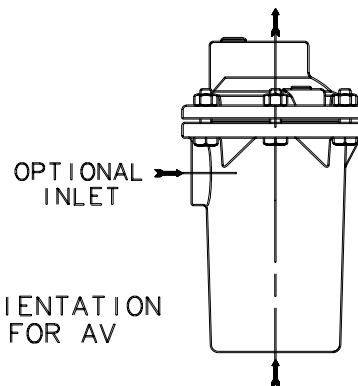
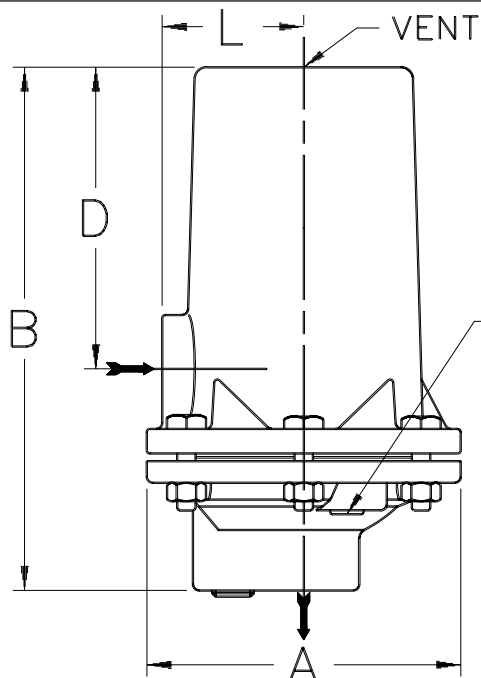
Order:

Project:

Requirements:

By:

Date:



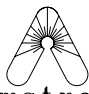
ORIENTATION  
FOR LD & DG

NAME OF PART	MATERIAL
BODY & CAP	ASTM A48 CLASS 30
VALVE & VALVE SEAT	HARDENED STAINLESS STEEL
LEVERAGE ASS'Y	STAINLESS STEEL
FLOAT	STAINLESS STEEL
GASKET	COMPRESSED NON-ASBESTOS

MODEL NO.	2-AV/LD/DG <input type="checkbox"/>		3-AV/LD/DG <input type="checkbox"/>		6-AV/LD/DG <input type="checkbox"/>	
PIPE CONNECTIONS	1/2, 3/4		3/4, 1		1-1/2, 2	
*A* (FLANGE DIAMETER)	5-1/4	133 mm	6-3/8	163 mm	10-3/16	259 mm
*B* (HEIGHT)	8	203 mm	10-5/8	270 mm	17	432 mm
*D* (BOTTOM TO $\phi$ INLET)	4-3/8	86 mm	6-1/8	156 mm	8-3/8	213 mm
*L* ( $\phi$ OF TRAP TO INLET)	2-7/16	62 mm	2-7/8	73 mm	4-5/8	118 mm
WEIGHT (LBS.)	13 lbs	5.9 kgs	22 lbs	10 kgs	80 lbs	36 kgs
PIPE PLUG	1/8 NPT		3/8 NPT		1/4 NPT	
MAXIMUM ALLOWABLE PRESSURE (VESSEL DESIGN)	250 psig AT 450°F		250 psig AT 450°F		250 psig AT 450°F	

**NOTE:**

1. AVAILABLE IN NPT OR BSPT CONNECTIONS
2. AVAILABLE IN 316 STAINLESS STEEL



Armstrong International, Inc.  
Three Rivers Division  
Three Rivers, MI 49093  
Armstrong (616) 273-1415 Fax(616) 278-6555

Product	CD No.	Date
2-AV/LD/DG 3-AV/LD/DG 6-AV/LD/DG	1034	6/10/96
		Rev. A