

DIMENSIONS & DATA CERTIFIED FOR:

Representative:

Order:

Customer:

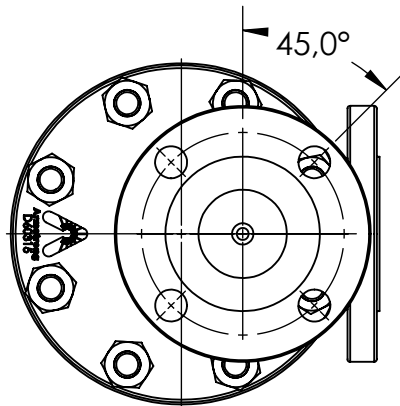
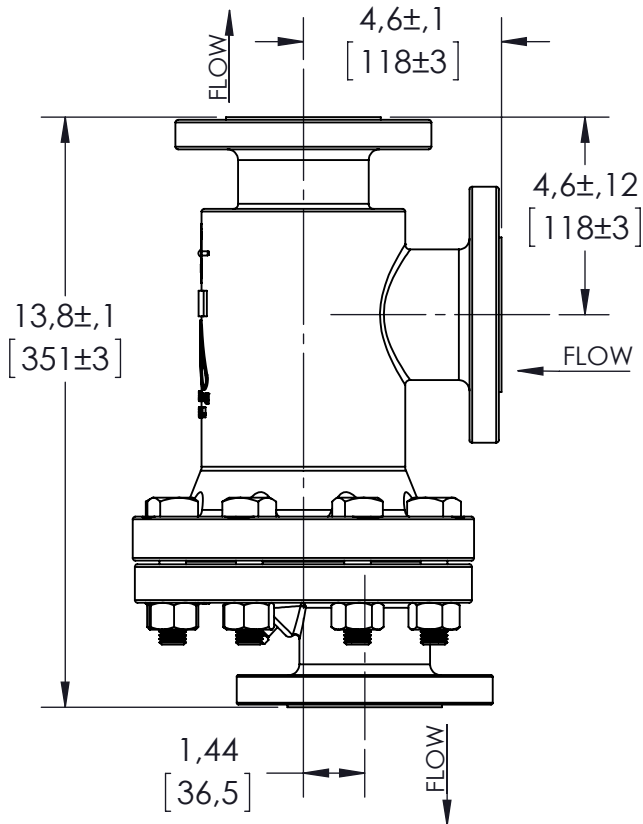
Order:

Project:

Requirements:

By:

Date:



Dimensions Are In Inches [mm]

LIST OF MATERIALS

NAME OF PART	MATERIAL
BODY	ASTM A995 GRADE 4A
CAP	ASTM A995 GRADE 4A
BOLTINGS	ASTM A453 GR 660 CLASS A
INTERNALS	T316 STN. STL.NACE
SPRCL WND GASKET	UNS S 32205/UNS S 31803
PLUG	ASTM A995 GRADE 4A
NAME PLATE	T316 STN. STL.
RIVET	T18-8 STN. STL.

TECHNICAL INFORMATION

TO BE INSTALLED IN VERTICAL POSITION
VENT AT THE TOP AND OUTLET AT
THE BOTTOM

PIPE CONNECTIONS AND WEIGHT (APPROX.)	
	□ 1 150RF. WEIGHT: ±48.5 LBS [22KG]
	□ 1-1/2 150RF. WEIGHT: ±52.9 LBS [24KG]
	□ 2 150RF. WEIGHT: ±57.3 LBS [26KG]

DESIGN INFORMATION

COMPLIANT WITH NACE MR0175/ISO15156-1/2/3

DESIGN PRESSURE 290 PSI [20bar] @ 100°F [38°C]
DESIGN TEMPERATURE 300°F [149°C]
MAX. OPERATING PRESSURE 290 PSI [20bar]
HYDROSTATIC TEST PRESSURE 435 PSI [30bar]



Product

995 LD -DSS

ENGLISH

WEB
Y|N

CD No.

CD2820

Rev;

SHEET 1 OF 1

Date

03/28/2014

By AZMANI