



# High Leverage Spring-Loaded Ball Float Type Drain Traps

For Low Flows at Pressures to 3,700 psi (255 bar) and Specific Gravity Down to 0.40



## List of Materials

Model No.	Valve & Seat	Leverage System	Float	Body & Cap	Gasket
2313-HLS 2315-HLS 2316-HLS	Stainless Steel			ASTM A105 Forged Steel	Compressed Asbestos-free
2413-HLS 2415-HLS 2416-HLS 25133G-HLS 25155G-HLS 26155G-HLS				ASTM A182 Grade F22 Forged Steel	

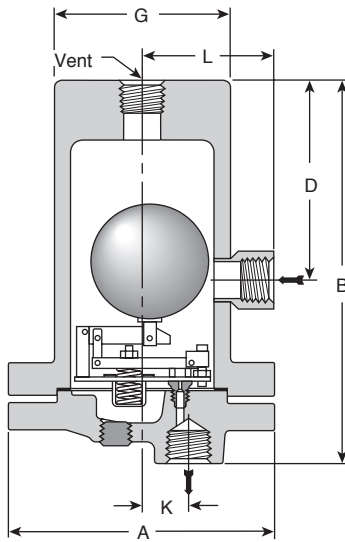


Figure LD-42.

High leverage ball float drain trap.

For a fully detailed certified drawing, refer to CD #1074.

## Physical Data

Model No.	2313-HLS†		2315-HLS		2316-HLS		2413-HLS†		2415-HLS†		2416-HLS		25133G-HLS		25155G-HLS		26155G-HLS	
	in	mm	in	mm	in	mm	in	mm	in	mm	in	mm	in	mm	in	mm	in	mm
Pipe Connections	1/2, 3/4, 1	15, 20, 25	1, 1-1/4, 1-1/2	25, 32, 40	1-1/2, 2	40, 50	1/2, 3/4, 1	15, 20, 25	1, 1-1/4, 1-1/2	25, 32, 40	1-1/2, 2	40, 50	1/2, 3/4, 1	15, 20, 25	3/4, 1, 1-1/4	20, 25, 32	1, 1-1/4, 1-1/2	25, 32, 40
"A"	8	203	9-3/4	248	11-7/8	302	8-5/8	219	10-3/4	273	12-1/2	318	8-1/2	216	10-3/8	263	11-3/4	298
"B"	11-9/16	294	15-1/16	383	17-1/8	435	11-7/8	3002	15	381	17-3/4	451	14-1/4	362	16-7/32	412	24-1/8	613
"D"	6-1/16	154	7-13/16	198	9	229	5-3/8	137	7-1/4	184	9	229	3	75	4	102	5	127
"G"	5-1/8	130	6-7/8	175	8-3/8	213	5-3/8	137	6-7/8	175	8-5/8	219	5-3/4	146	7-3/8	187	8-3/8	213
"K"	1-7/16	37	1-3/4	44	2-1/8	54	1-7/16	37	1-3/4	44	2-1/8	54	1-5/16	33	1-3/4	44	1-3/4	44
"L"	3-7/8	98	4-11/16	119	5-3/4	146	4	102	4-13/16	122	5-13/16	148	—	—	—	—	—	—
Weight, lbs (kg)	46 (21)		98 (44)		160 (73)		69 (31)		130 (59)		210 (95)		113 (51)		171 (78)		325 (147)	
Maximum Allowable Pressure (Vessel Design)	1,000 psig @ 100°F (69 bar @ 38°C) 600 psig @ 750°F (41 bar @ 400°C)						1,500 psig @ 100°F (103 bar @ 38°C) 900 psig @ 850°F (62 bar @ 454°C)		1,800 psig @ 100°F (125 bar @ 38°C) 900 psig @ 900°F (62 bar @ 482°C)		2,120 psig @ 100°F (146 bar @ 38°C) 1,700 psig @ 900°F (117 bar @ 482°C)		2,520 psig @ 100°F (174 bar @ 38°C) 2,000 psig @ 900°F (138 bar @ 482°C)		3,700 psig @ 100°F (255 bar @ 38°C) 3,000 psig @ 900°F (207 bar @ 482°C)			

Note: Available with screwed, socketweld or flanged connections.

† Available with cast 316 stainless steel body and all stainless steel internals. Consult factory.

Designs, materials, weights and performance ratings are approximate and subject to change without notice. Visit [armstronginternational.com](http://armstronginternational.com) for up-to-date information.