

# DIMENSIONS & DATA CERTIFIED FOR:

Representative:

Order:

Customer:

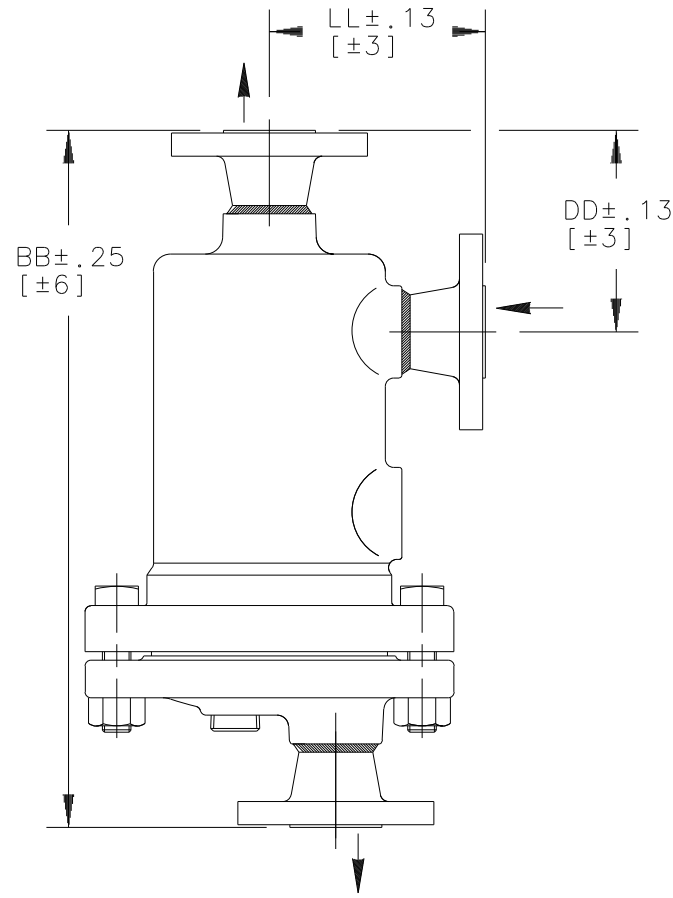
Order:

Project:

Requirements:

By:

Date:



## LIST OF MATERIALS:

NAME OF PART	MATERIAL
CAP/BODY	ASTM A351 GR. CF8M
GASKET	GRAPHITE FOIL
BOLT (8)	ASTM A193 GR. B8M
NUT (8)	ASTM A194 GR. 8M
SEAT	ASTM A276 T316
GUIDE PLATE	T316
VALVE	T316
LEVER/PIN	T316
RETAINER	T316
FLOAT	T316L

## TECHNICAL INFORMATION

MODEL NO.	33 LD	
CONNECTIONS	3/4 [DN20]	
"BB" (HEIGHT, FLANGED)	CL 300	15-1/8 [384]
"LL" (FLANGE TO C OF BODY)	CL 300	4-11/16 [119]
"DD" (HEIGHT, FLANGED)	CL 300	4-3/8 [111]
WEIGHT	57 lb [26kg]	
American National Standard Flg. Conn.	ANSI B16.5	

## DESIGN INFORMATION

MAX. Allowable Pressure/Temp. (Derated)	CL 300	720 psig at 100°F [50 bar] at [38°C]
-----------------------------------------	--------	--------------------------------------

Dimensions Are In Inches[mm]



Armstrong International, Inc.  
Three Rivers Division  
Three Rivers, MI 49093

Armstrong (269) 273-1415 Fax(269) 278-6555  
Posted on Armstrong's homepage www.armstronginternational.com

Product

TRAP  
33 LD 3/4 CL  
300 FLG. T316

CD No.

1351

Rev; A

Date

1/17/07

By; Paul G.