

DIMENSIONS & DATA CERTIFIED FOR:

Representative:

Order:

Customer:

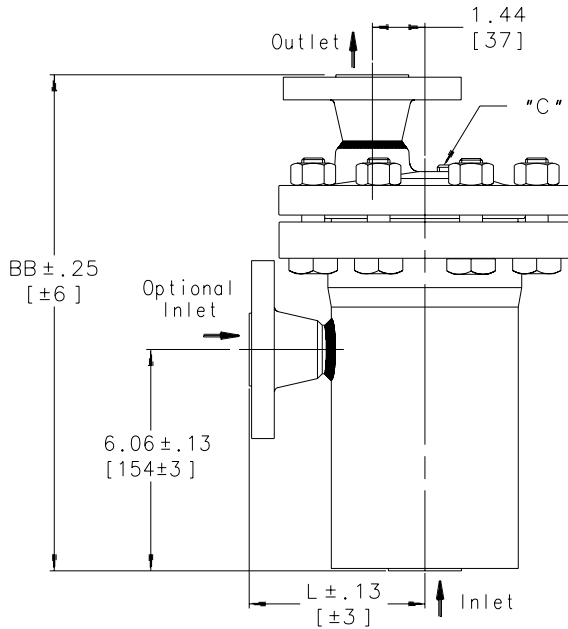
Order:

Project:

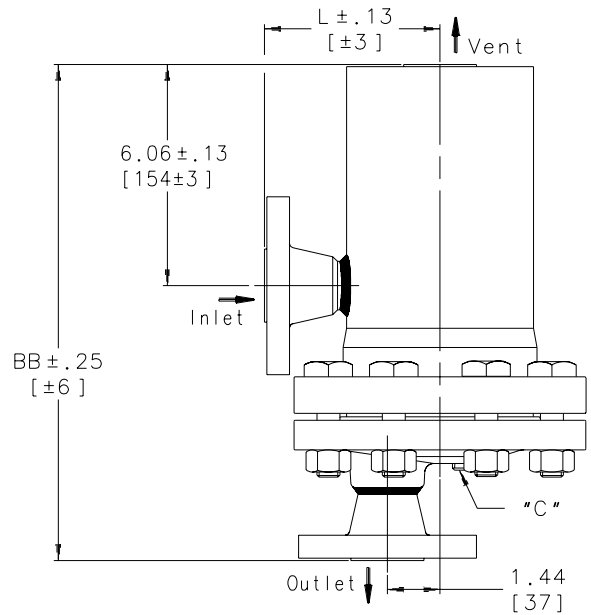
Requirements:

By:

Date:



AV ORIENTATION
1" RF Conn. Cl. 300 Shown Above
ANSI B16.5

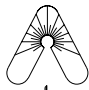


LD & DG ORIENTATION
1" RF Conn. Cl. 300 Shown Above
ANSI B16.5

DESCRIPTION	DIMENSIONS								
	FLANGE CLASS 150			FLANGE CLASS 300			FLANGE CLASS 600		
CONNECTION (FLG)	1/2" [DN15]	3/4" [DN20]	1" [DN25]	1/2" [DN15]	3/4" [DN20]	1" [DN25]	1/2" [DN15]	3/4" [DN20]	1" [DN25]
"BB" (FACE TO FACE)	13-3/16 [335]	13-1/4 [337]	13-3/8 [340]	13-3/8 [340]	13-7/16 [341]	13-5/8 [346]	13-5/8 [346]	13-11/16 [348]	13-7/8 [352]
"C" (PIPE PLUG)	3/4" NPT [DN20]								
"L" (C OF TRAP TO INLET)	4-1/4 [108]	4-7/16 [113]	4-9/16 [116]	4-7/16 [113]	4-5/8 [116]	4-13/16 [122]	4-11/16 [119]	4-7/8 [124]	5-1/16 [129]
WEIGHT [kgs] ± 2 lb [1 kg]	51 lb [23]	53 lb [24]	54 lb [24.5]	52 lb [23.8]	55 lb [25]	56 lb [25.4]	53 lb [24]	56 lb [25.4]	57 lb [26]
MAXIMUM ALLOWABLE PRESSURE (VESSEL DESIGN)	285 psig at 100°F [20 bar at 38°C] 230 psig at 300°F [16 bar at 149°C]			740 psig at 100°F [51 bar at 38°C] 410 psig at 800°F [28 bar at 427°C]			1000 psig at 100°F [69 bar at 38°C] 600 psig at 750°F [41 bar at 400°C]		

LIST OF MATERIALS	
CAP & BODY	ASTM A105
GASKET, BODY	GARLOCK, NON-ASBESTOS
BOLT (6)	ASTM A193 GR. B7
NUT (6)	ASTM A194 GR. 2H
SEAT, VALVE	ASTM A582 T440 SS
GUIDE PLATE/ADAPTOR ASS'Y	T304 SS
SCREWS, VALVE GUIDE	18-8 SS
VALVE	ASTM A582 T440 SS
VALVE LEVER/RETAINER	T304 SS
FLOAT	T304 SS

- NOTES:
- DIMENSIONS ARE IN INCHES [mm]
 - FLG. BOLT HOLES STRADDLE C



Armstrong International, Inc.
Three Rivers Division
Three Rivers, MI 49093
(616) 273-1415 Fax (616) 278-6555
Posted on Armstrong's homepage www.armstrong-intl.com

Product	CD No.	Date
TRAP 33 AV/LD/DG RF FLG. A105	1217	10/30/00
		Rev. B