

DIMENSIONS & DATA CERTIFIED FOR:

Representative:

Order:

Customer:

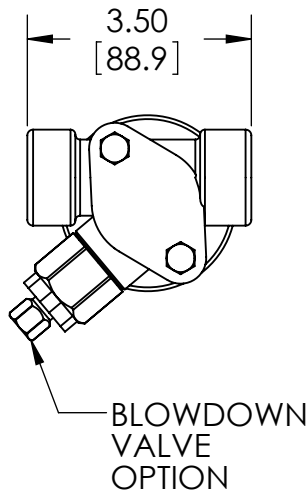
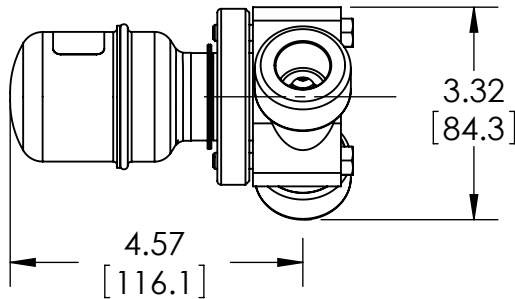
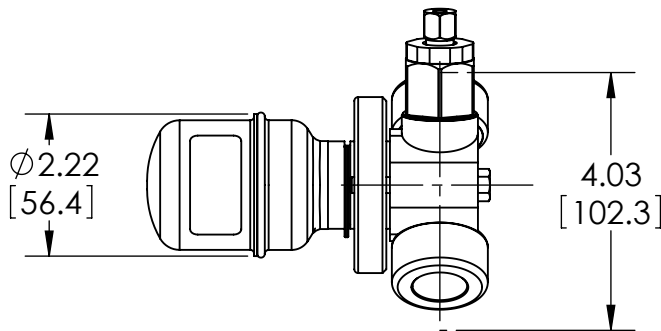
Order:

Project:

Requirements:

By:

Date:



Dimensions Are In Inches [mm]

LIST OF MATERIALS SH2000

NAME OF PART	MATERIAL
VALVE ELEMENT	STN. STL.
BODY	STN. STL.
FLANGE RETAINER RING	STN. STL.
CAP ASSEMBLY	STN. STL.
FLANGE	ASTM A105
EXTERNAL RETAINER RING	CARBON STEEL
SPIRAL WOUND GASKET	STN. STL.
SPIRAL WOUND GASKET	STN. STL.
LABEL	ALUMINUM

LIST OF MATERIALS FOR IS2

BODY	ASTM A351 GR CF8
GASKET RETAINER	316 SS
BLOWDOWN STRAINER	SS & NITRONIC 60
BOLTS	ASTM A193, GR. B7

DESIGN INFORMATION

MAX. OPERATING PRESSURE	MAX. ALLOWABLE PRESSURE (VESSEL DESIGN)
400 PSI [28 BAR] AT 800°F [427°C]	400 PSI [28 BAR] AT 800°F [427°C]



Product

SH2000 W/IS2

ENGLISH

WEB
Y|N

CD No.

CD2432

Rev;

SHEET 1 OF 1

Date

12/29/2009

By: HWN