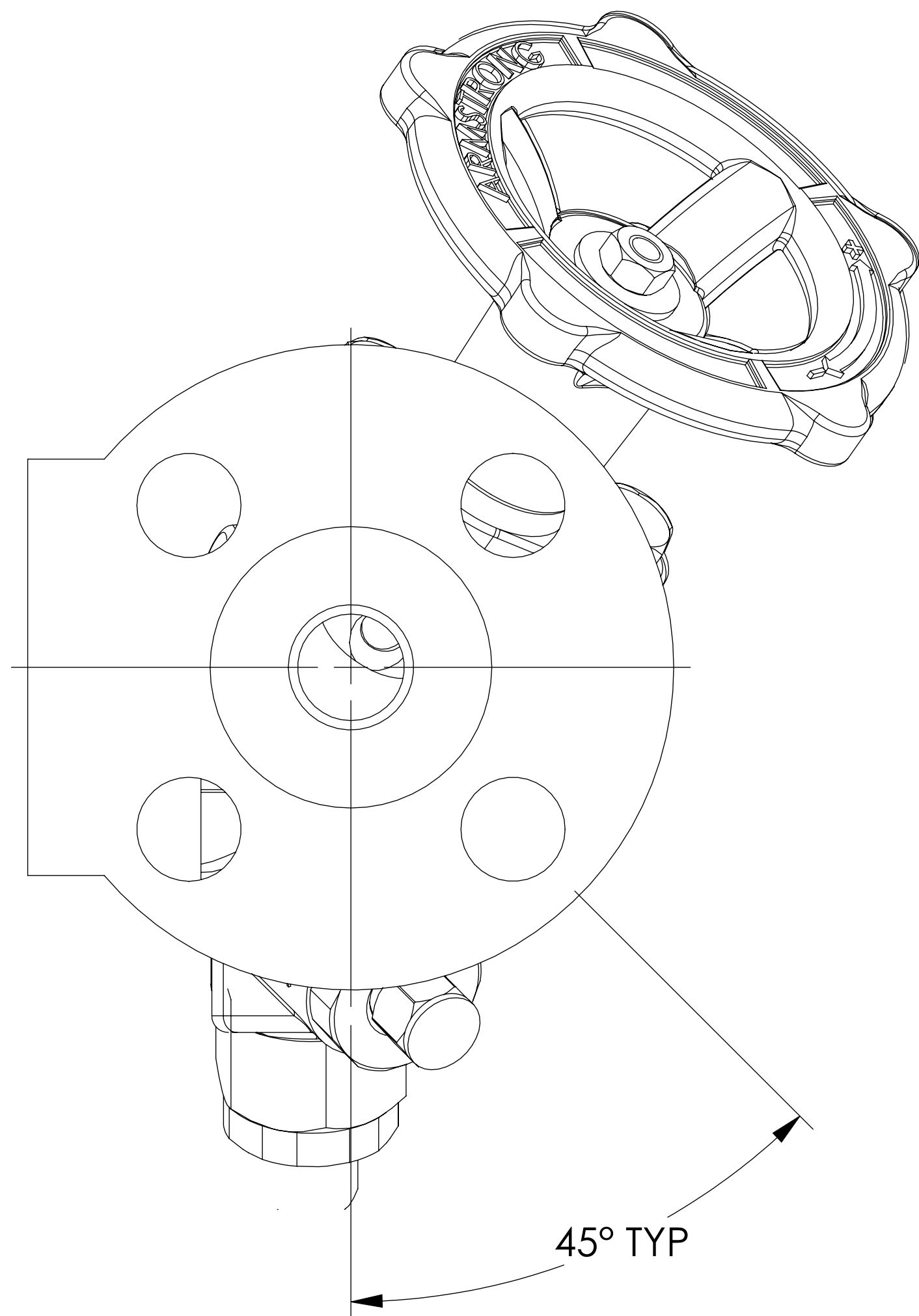
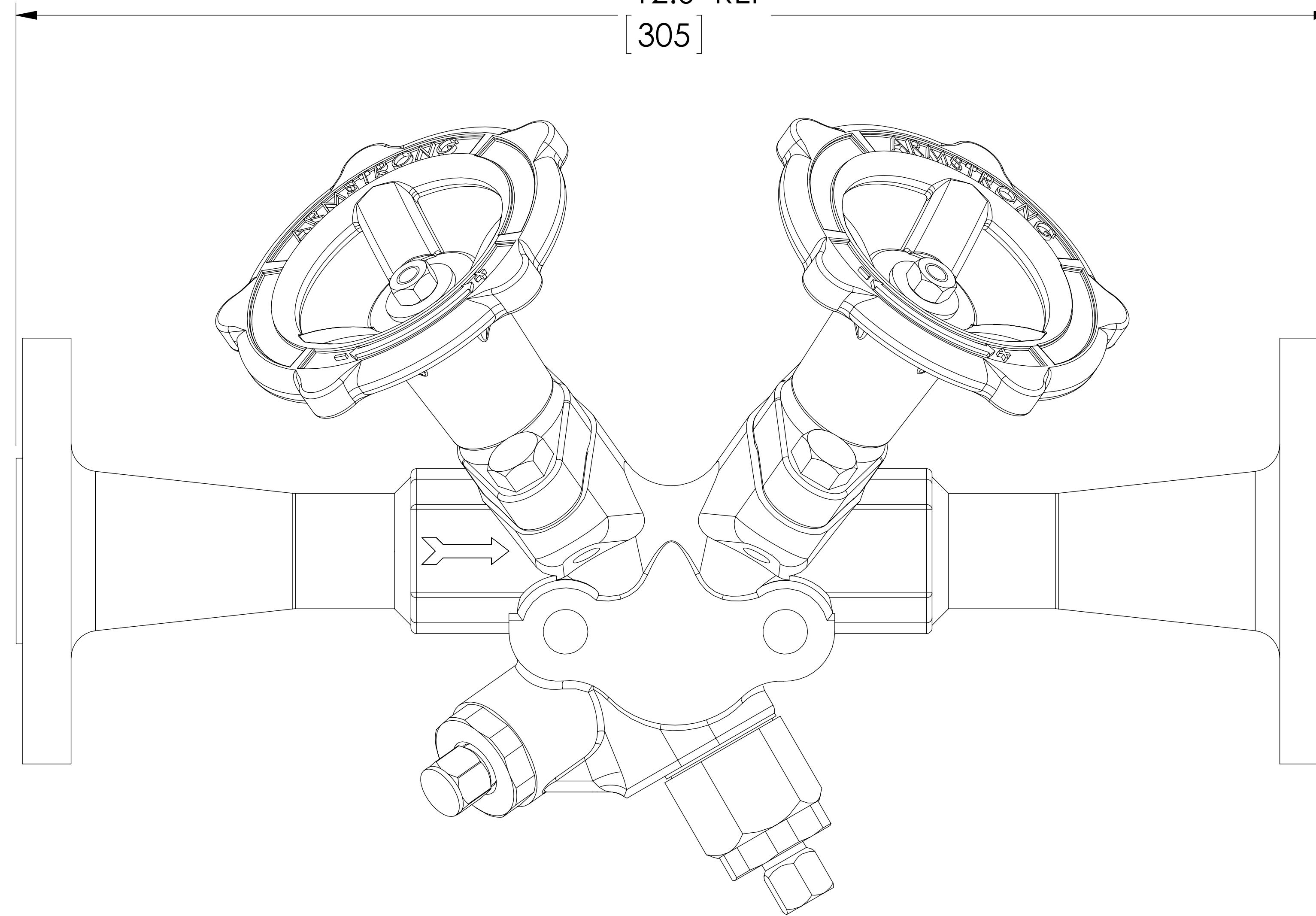


12.0 REF
[305]



ITEM	MATERIAL
BODY	ASTM A351 GR. CF8M
PIPE NIPPLE	ASTM A351 GR. CF8M
FLANGE	ASTM A351 GR. CF8M
BONNET	ASTM A351 GR. CF8M
BOLT	GR. A2 CLASS 70 SS

NOTES:

1. FINAL ASSEMBLY TEST PER ARM OP7.275
2. N/A
3. N/A
4. N/A

DO NOT SCALE DRAWING																	
TOLERANCES UNLESS OTHERWISE SPECIFIED																	
DIMENSIONING ENGLISH [mm]																	
FRACTIONAL ± 1/64																	
ANGULAR: ± 2																	
DECIMAL	<table border="1"> <tr> <td>.XXXX</td> <td>±</td> <td>.0005</td> <td>----</td> </tr> <tr> <td>.XXX</td> <td>±</td> <td>.005</td> <td>.010</td> </tr> <tr> <td>.XX</td> <td>±</td> <td>.015</td> <td>.10</td> </tr> <tr> <td>.X</td> <td>-----</td> <td>.3</td> <td></td> </tr> </table>	.XXXX	±	.0005	----	.XXX	±	.005	.010	.XX	±	.015	.10	.X	-----	.3	
.XXXX	±	.0005	----														
.XXX	±	.005	.010														
.XX	±	.015	.10														
.X	-----	.3															

		NAME	DATE
		CFG	10/22/2012
RELEASED			

ARMSTRONG INTERNATIONAL Copyright © 2010 ARMSTRONG INTERNATIONAL, INC.	
TVS4000F 3/4 150RF L/R BL T316 305MM FF	
CONFIG# C-134315	
MATERIAL	SHEET 1 OF 1
CWF32564	REV B DWG. D562310