

DIMENSIONS & DATA CERTIFIED FOR:

Representative:

Order:

Customer:

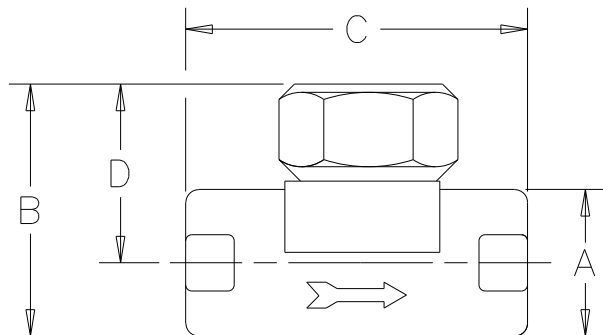
Order:

Project:

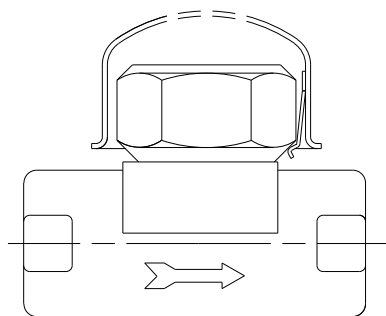
Requirements:

By:

Date:



CD-33
CD-33L (Low Capacity)



CD-33/CD-33L
W/Optional Rain Guard

Dimensions Are In Inches[mm]

LIST OF MATERIALS:

NAME OF PART	MATERIAL
Cap & Body	ASTM A743 GR. CA40
Disc	ASTM A276 GR. 420
Rain Guard (Optional)	Stainless Steel
Rain Guard Insul. (Optional)	Fiberglass

TECHNICAL INFORMATION

Connection (NPT Only)	*3/8 [DN10] 1/2 [DN15] 3/4 [DN20]	1" [DN25]
"A" Body ϕ	1-7/16 [37]	1-3/4 [44]
"B" Height	2-7/16 [62]	2-7/8 [73]
"C" Length	3-5/16 [84]	3-15/16 [100]
"D" ϕ to top of cap	1-3/4 [44]	2-1/32 [52]
Weight	1.41 lb. [.64 kg]	2.2 lb. [1.0 kg]

DESIGN INFORMATION

Max. Allowable Pressure	915 psig at 752°F [63 bar at 400°C]
Min. Operating Pressure	3.5 psig [.24 bar]
Max. Operating Pressure	600 psig at 752°F [41 bar at 400°C]

* Not Offered In 3/8[DN10] CD-33L

Product

CD No.

Date

TRAP
CD-33
CD-33L

1116

5/13/04

Rev; F

By; Paul G.